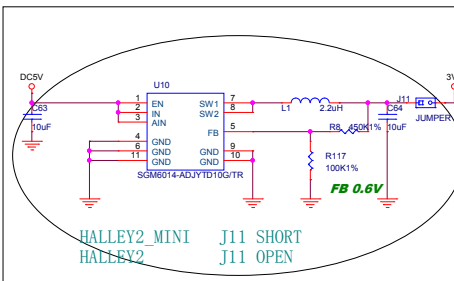
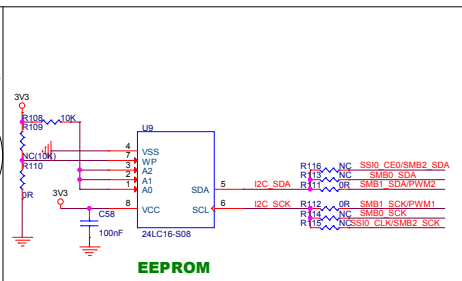


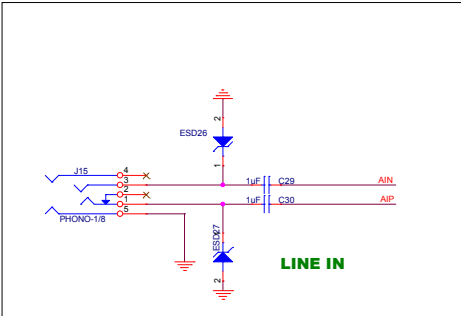
- SMB1_SDA/PWM1 >>> 1
- SMB1_SCK/PWM2 >>> 1
- SMB0_SCK >>> 1
- SMB0_SDA >>> 1
- SSIO_CLK/SMB2_SCK >>> 1
- SSIO_CE0/SMB2_SDA >>> 1
- MCBIAS >>> 1
- CODEC_PWMLN >>> 1
- CODEC_PWMLP >>> 1
- CODEC_PWMLR >>> 1
- CODEC_PWMRN >>> 1
- CODEC_PWMRN >>> 1
- AIN >>> 1
- AIP >>> 1



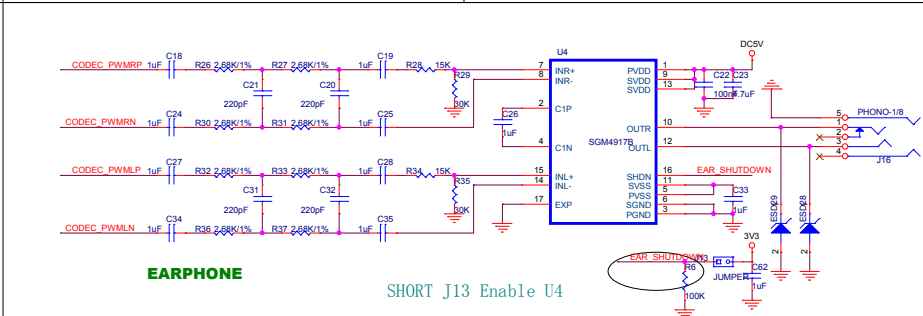
HALLEY2_MINI J11 SHORT
 HALLEY2 J11 OPEN



EEPROM

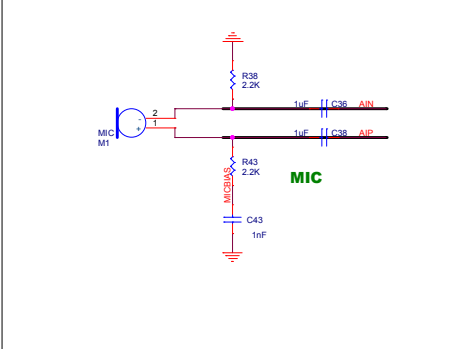
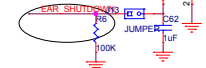


LINE IN

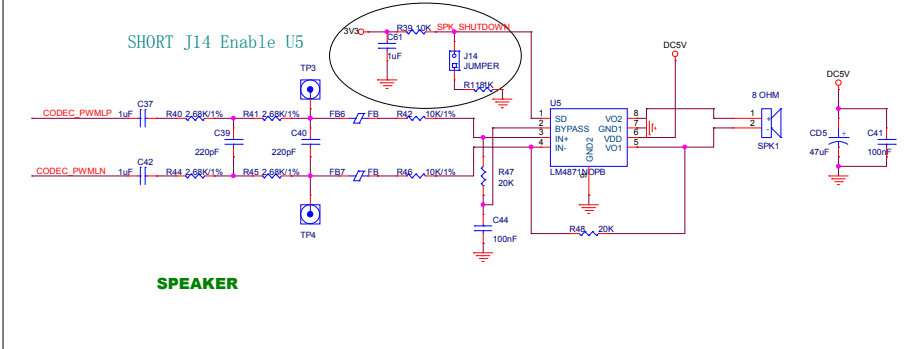


EARPHONE

SHORT J13 Enable U4



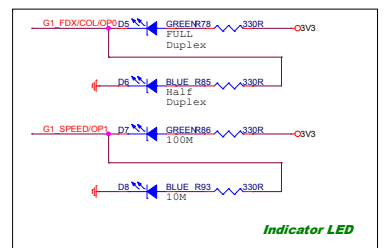
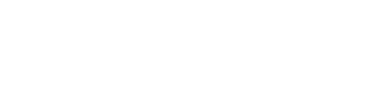
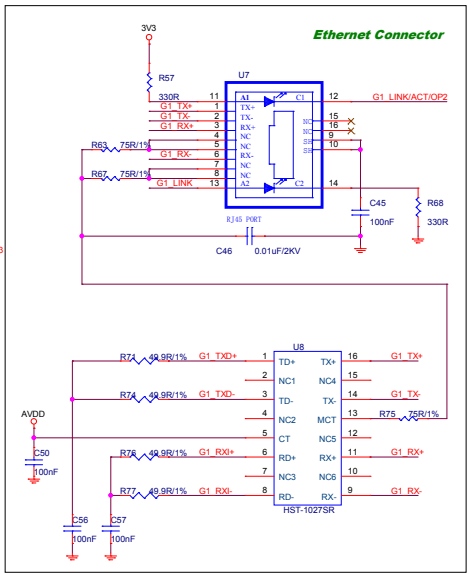
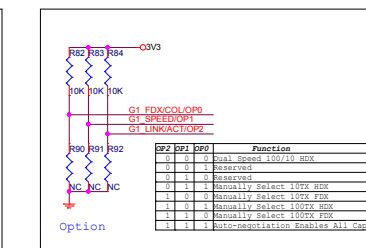
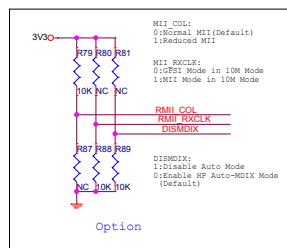
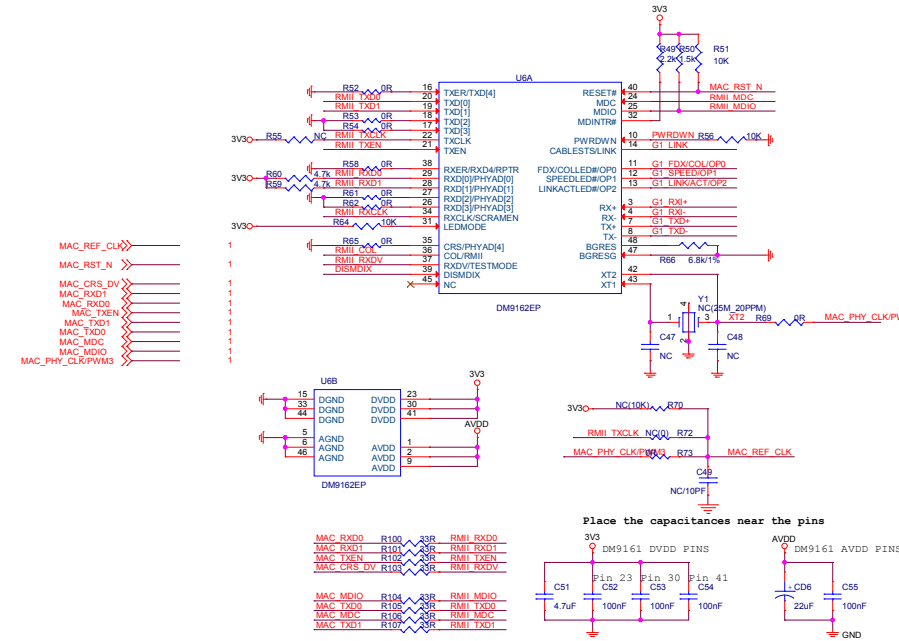
MIC



SPEAKER

SHORT J14 Enable U5
 R38 J14 SPK SHUTDOWN

INGENIC SEMICONDUCTOR CO.,LTD		
RD_X1000_HALLEY2_BASEBOARD		
File	Document Number	Rev
AS	AUDIOEEPROM	V2.0
Date:	Tuesday, November 03, 2015	Sheet 2 of 4



INGENIC SEMICONDUCTOR CO.,LTD			
File: RD_X1000_HALLEY2_BASEBOARD			
Size: AS	Document Number: RM1110M100M_MAC	Rev: V2.0	
Date: Tuesday, November 03, 2015	Sheet: 3	of: 4	

Data	Revision	Change
2015-10-30	V2.0	1, 增加U10, L1, C63, C64, J11, R8, R117 2, 增加J13, R6, C62 3, 增加J14, R118, C61 4, R55、C47、C48 NC 5, R11改为10K
2015-11-05	V2.0	1, 增加SW5, ESD30

INGENIC SEMICONDUCTOR CO.,LTD		
File RD_X1000_HALLEY2_BASEBOARD		
Size A3	Document Number ChangeList	Rev V2.0
Date: Thursday, November 05, 2015 Sheet 4 of 4		