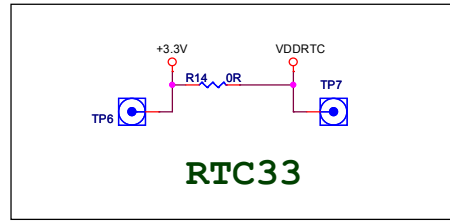
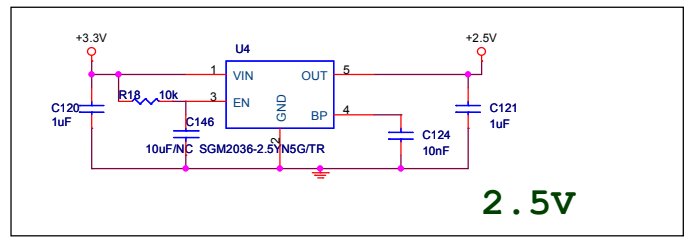
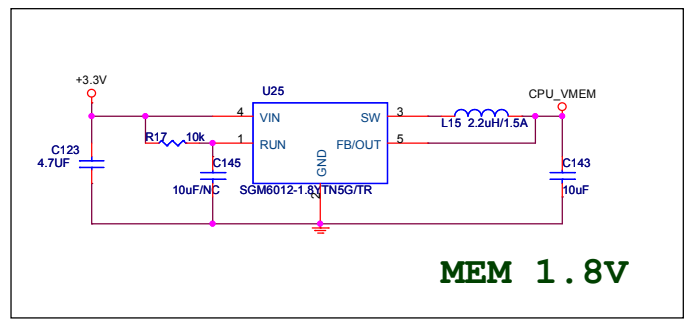
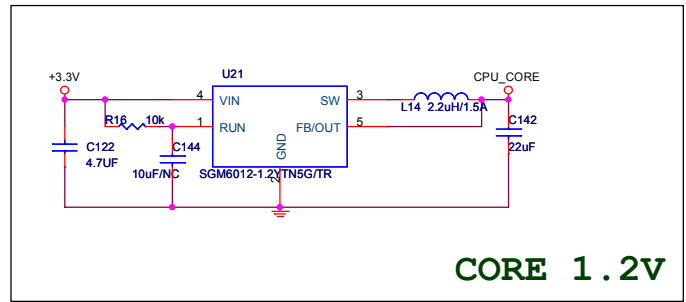
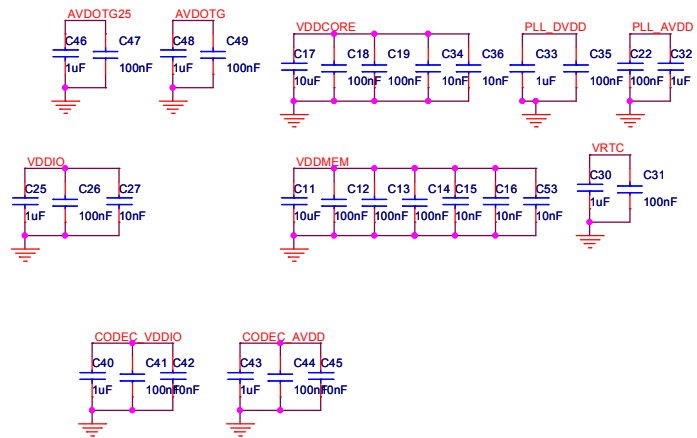
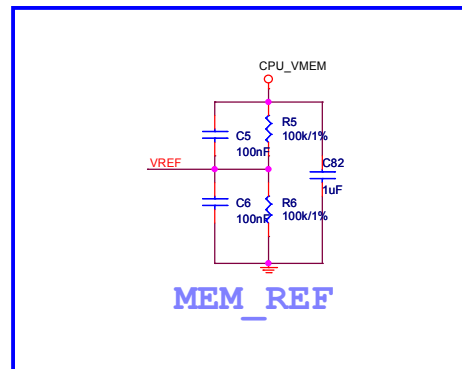
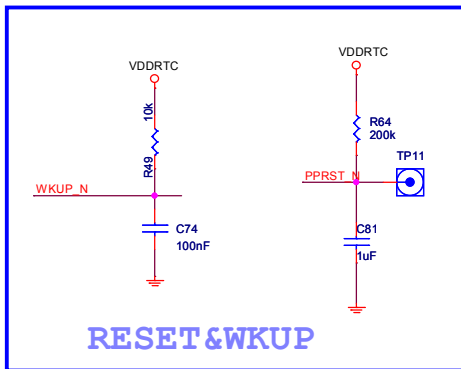
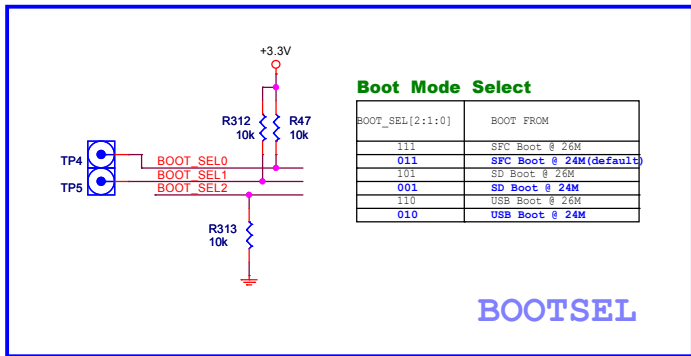
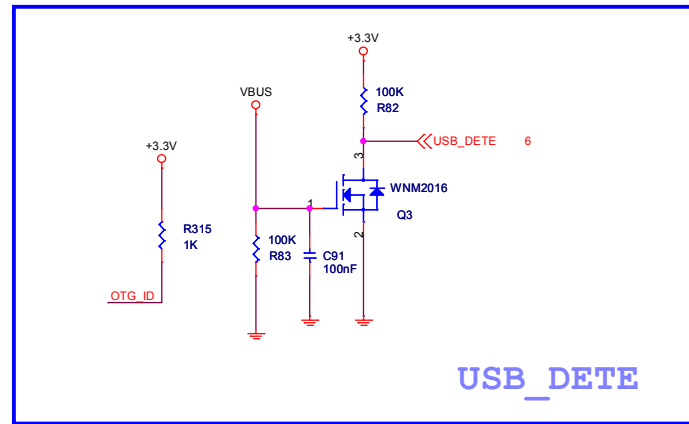
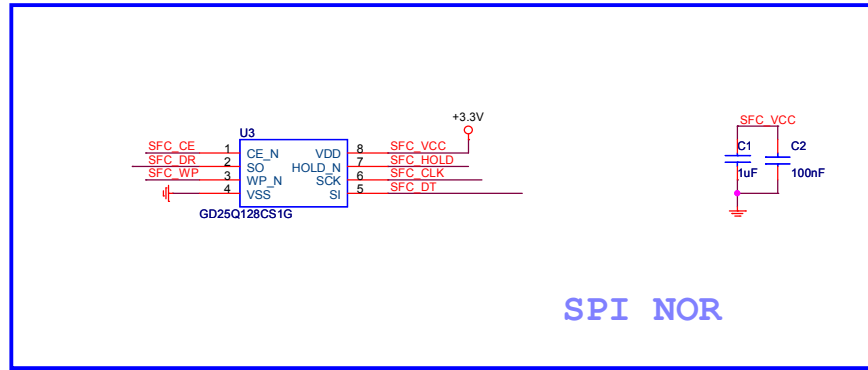
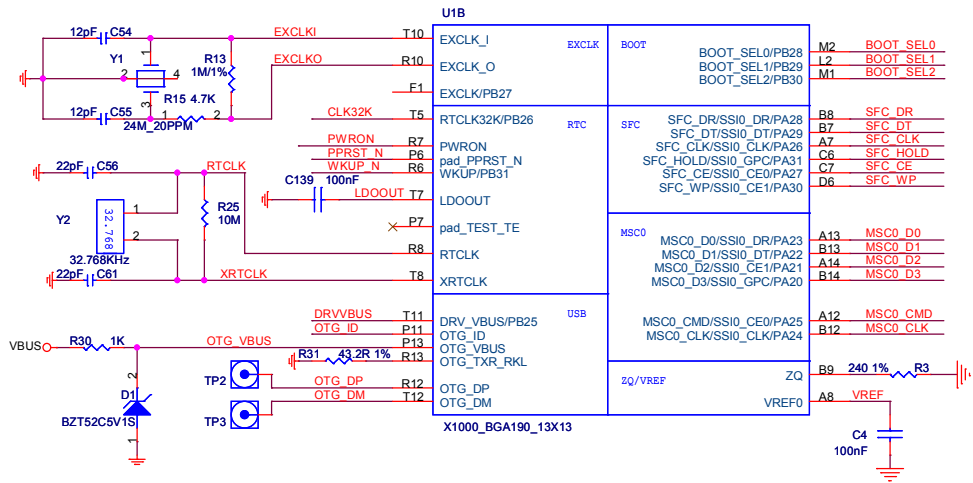


X1000\_BGA190\_13X13



INGENIC SEMICONDUCTOR CO.,LTD		
Title	PD_X1000_CANNA_COREBOARD_V1.0	
Size	Document Number	Rev
A3	CPU PWR/POWER	V1.0
Date:	Tuesday, July 07, 2015	Sheet 3 of 8

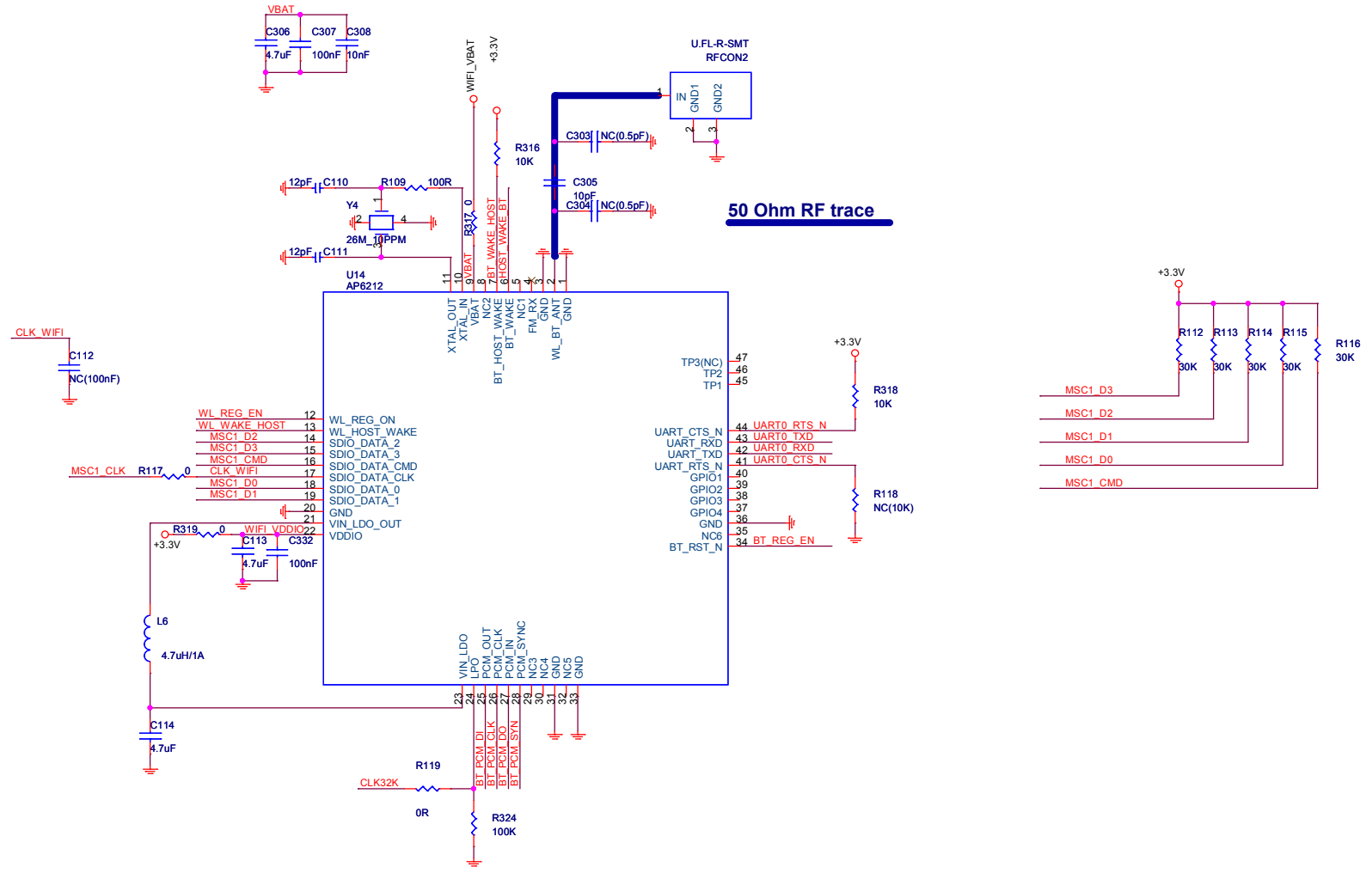


- 7 PWRON
- 5 CLK32K
- 7 BOOT\_SEL0
- 7 BOOT\_SEL1
- 7 WKUP\_N
- 7 PPRST\_N
- 7 MSC0\_D0
- 7 MSC0\_D1
- 7 MSC0\_D2
- 7 MSC0\_D3
- 7 MSC0\_CMD
- 7 MSC0\_CLK
- 7 DRVVBUS
- 6,7 OTG\_ID
- 7 OTG\_DP
- 7 OTG\_DM

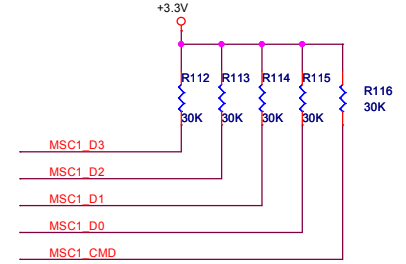
MK1  
MK3

U1C	
WIFI/BT_IO	PC16 B2 WL_WAKE_HOST PC17 A2 WL_REG_EN PC18 C3 BT_REG_EN PC19 B3 HOST_WAKE_BT PC20 A3 BT_WAKE_HOST
UART0	B5 UART0_CTS_N A5 UART0_RTS_N B6 UART0_RXD A6 UART0_TXD
PWM	C2 BT_PCM_SYN C1 BT_PCM_CLK D2 BT_PCM_DI B1 BT_PCM_DO
MSC1	F2 MSC1_CMD E1 MSC1_CLK E3 MSC1_D3 E2 MSC1_D2 F3 MSC1_D1 D1 MSC1_D0

X1000\_BGA190\_13X13



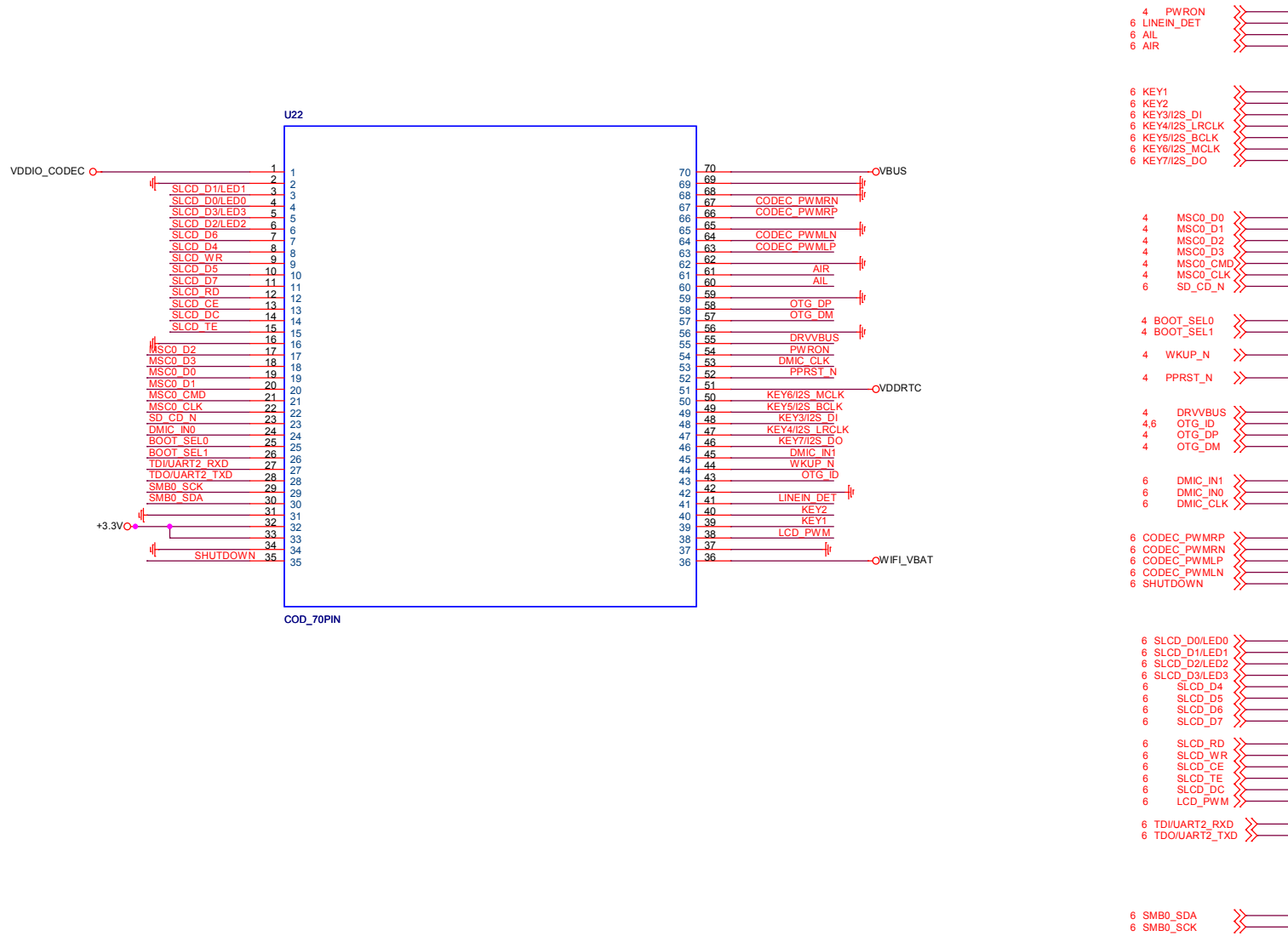
50 Ohm RF trace



4 CLK32K >>>

<b>INGENIC SEMICONDUCTOR CO.,LTD</b>		
Title		
PD_X1000_CANNA_COREBOARD_V1.0		
Size	Document Number	Rev
A3	WIFI/BLUETOOTH	V1.0
Date:	Thursday, July 02, 2015	Sheet 5 of 8





Data	Revision	Change
June.19 2015	Rev1.0	1. First released Revision