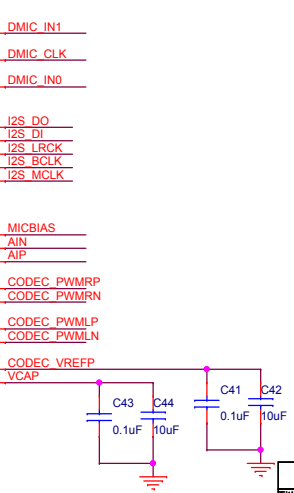
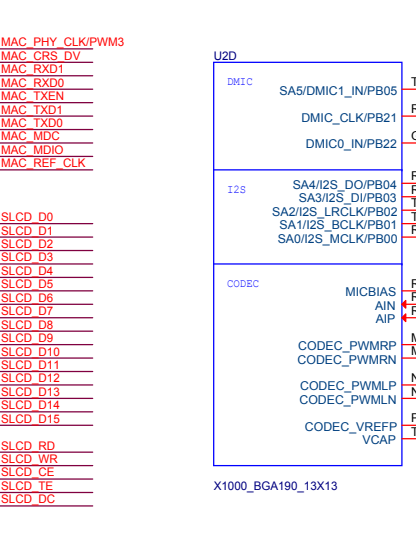
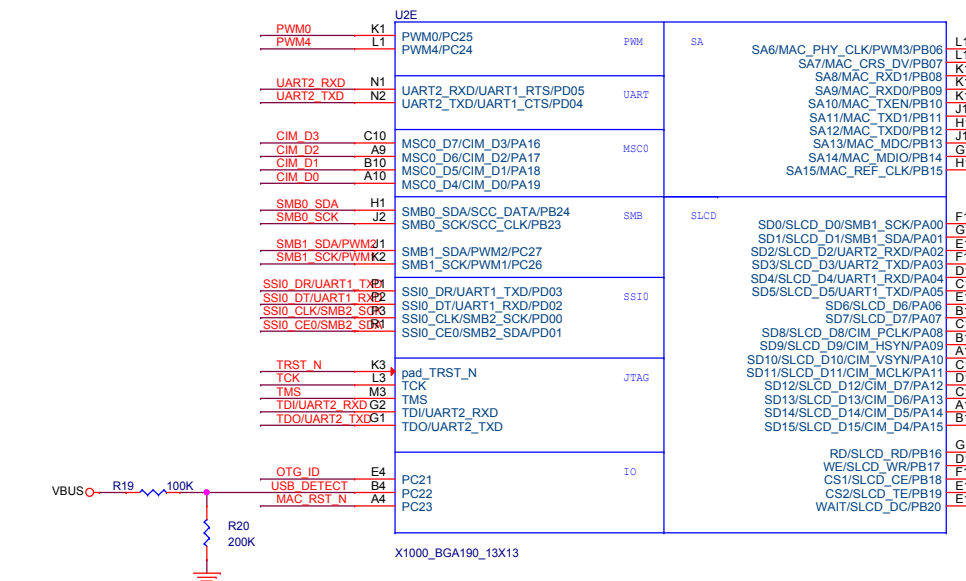
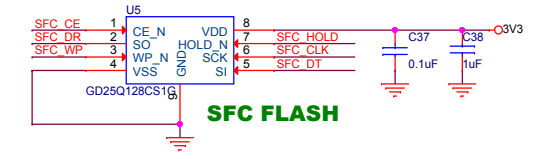
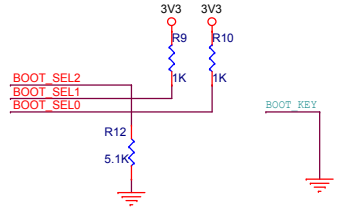


Boot Mode Select

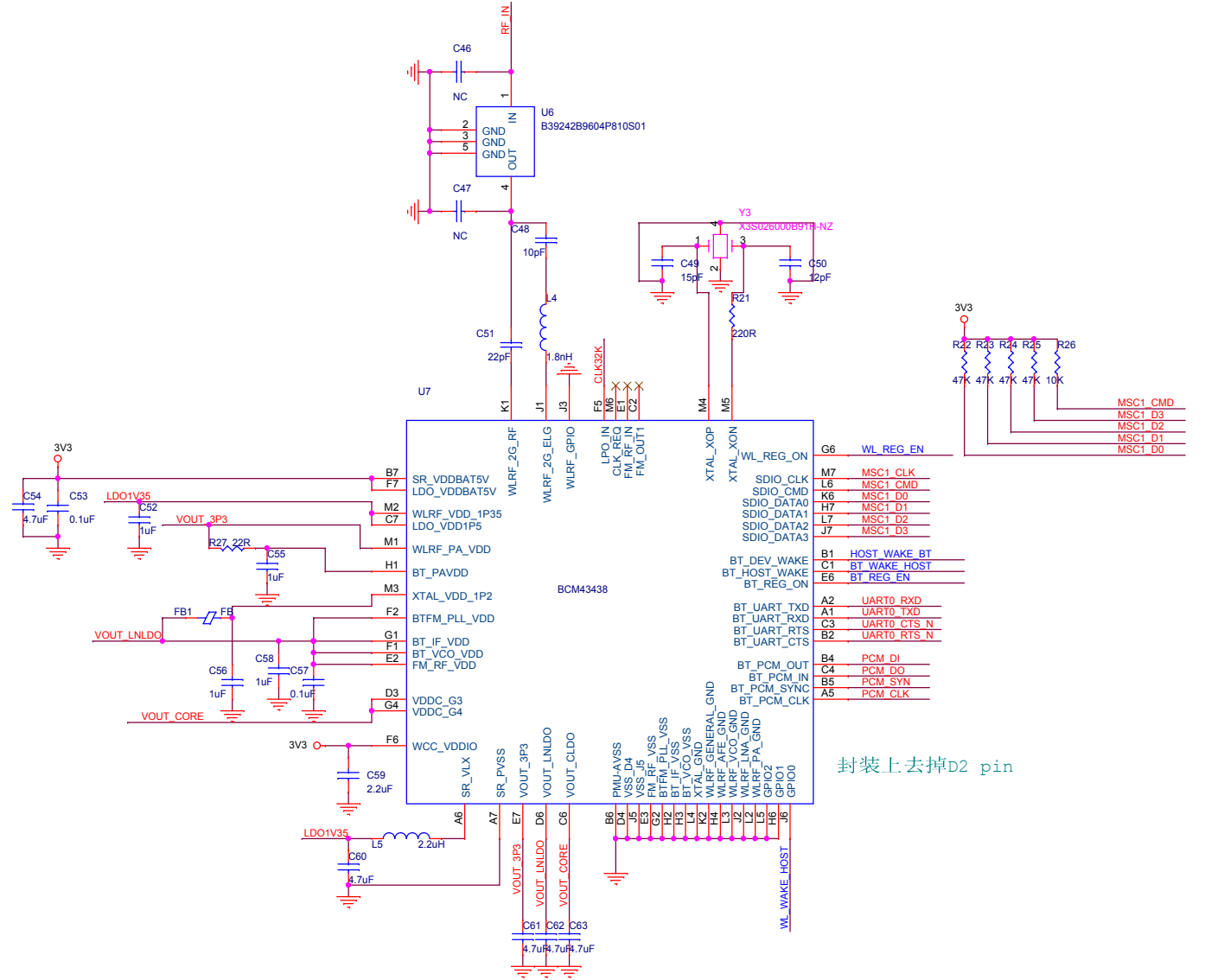
BOOT_SEL[2:1:0]	BOOT FROM
111	SFC Boot @ 26M
011	SFC Boot @ 24M (default)
101	SD Boot @ 26M
001	SD Boot @ 24M
110	USB Boot @ 26M
010	USB Boot @ 24M



U2C

WIFI/BT_IO	PC16	B2	WL_WAKE_HOST
	PC17	A2	WL_REG_EN
	PC18	C3	BT_REG_EN
	PC19	B3	HOST_WAKE_BT
	PC20	A3	BT_WAKE_HOST
UART0	UART0_CTS_N/PC12	B5	UART0_CTS_N
	UART0_RTS_N/PC13	A5	UART0_RTS_N
	UART0_RXD/PC10	B6	UART0_RXD
	UART0_TXD/PC11	A6	UART0_TXD
PCM	PCM_SYN/PC09	C2	PCM_SYN
	PCM_CLK/PC06	C1	PCM_CLK
	PCM_DI/PC08	D2	PCM_DI
	PCM_DO/PC07	B1	PCM_DO
MSC1	MSC1_CMD/PC01	F2	MSC1_CMD
	MSC1_CLK/PC00	E1	MSC1_CLK
	MSC1_D3/PC05	E3	MSC1_D3
	MSC1_D2/PC04	F3	MSC1_D2
	MSC1_D1/PC03	E2	MSC1_D1
	MSC1_D0/PC02	D1	MSC1_D0

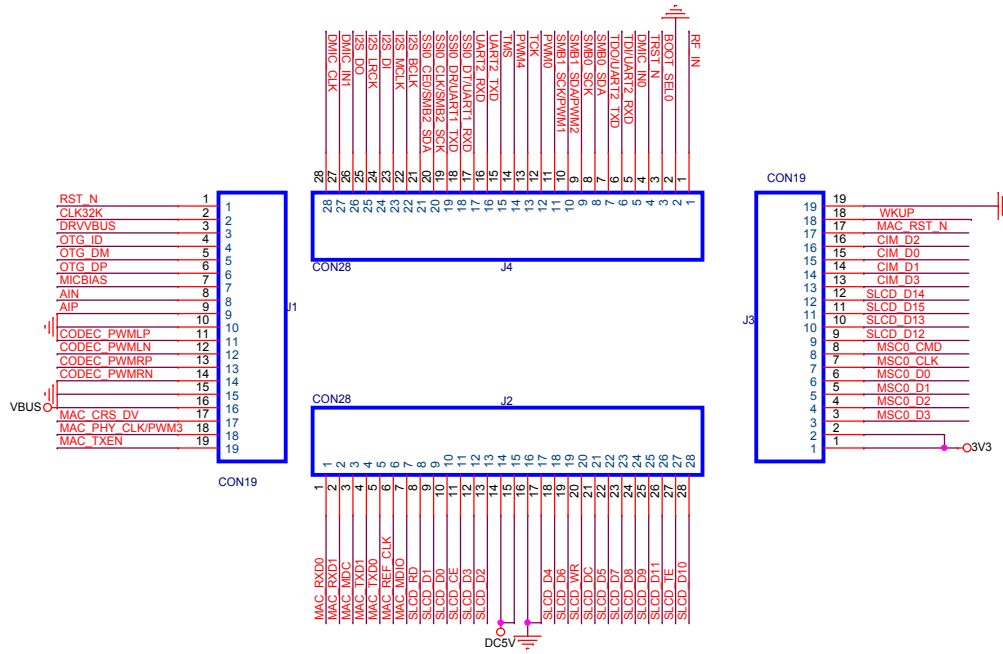
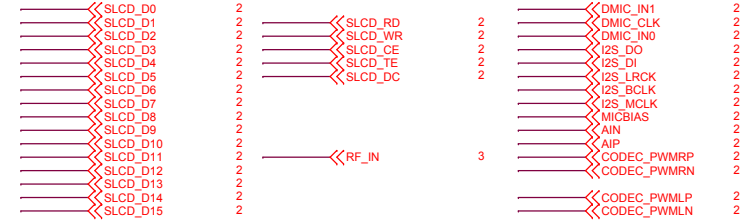
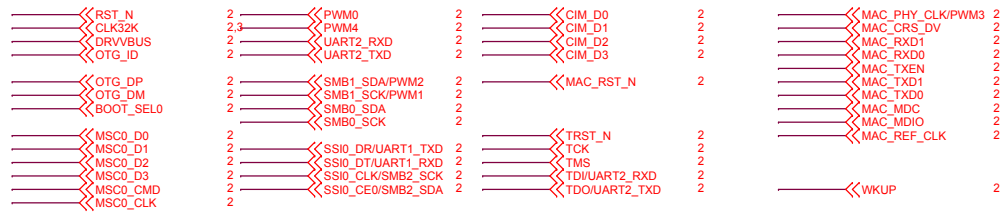
X1000_BGA190_13X13

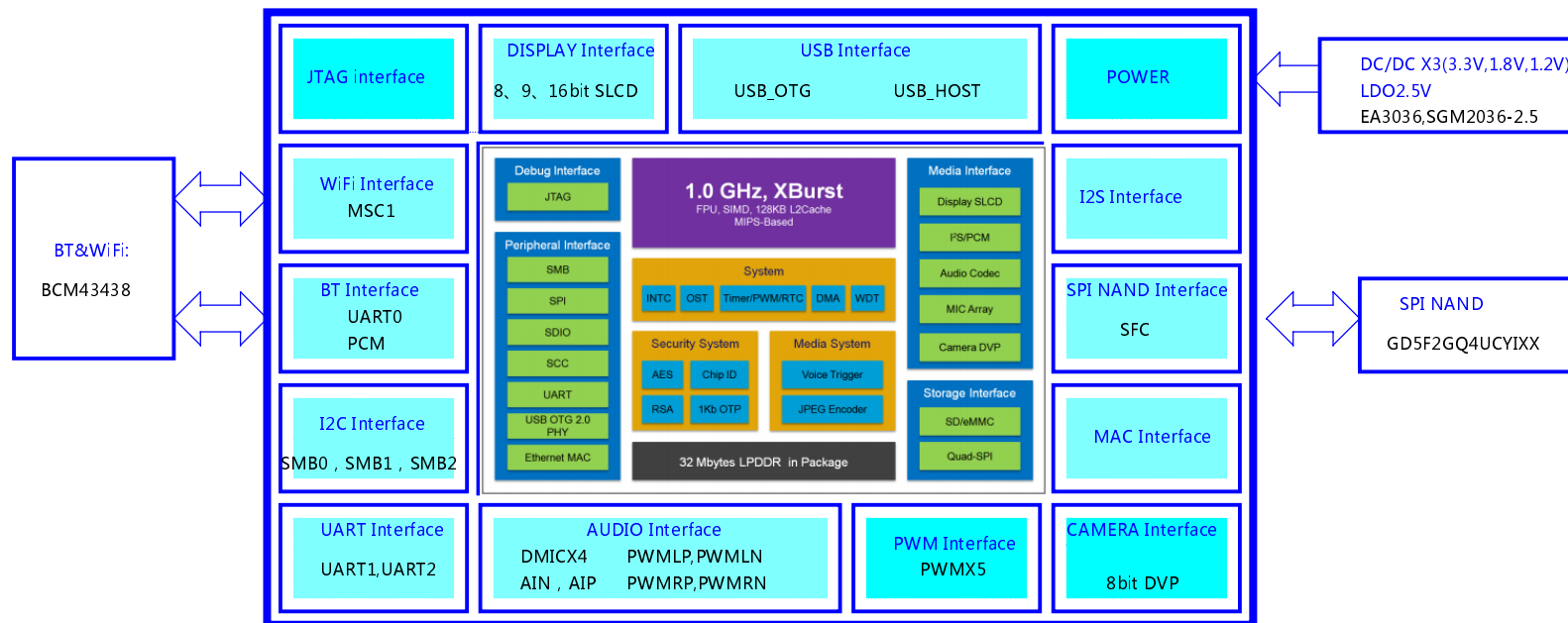


封装上去掉D2 pin

WIFI & BT & FM

INGENIC SEMICONDUCTOR CO.,LTD		
Title RD_X1000_HALLEY2		
Size A3	Document Number WIFI/BT	Rev V2.0
Date: Tuesday, November 17, 2015	Sheet 3	of 6





Data	Revision	Change
2015-10-30	V2.0	1, 增加R19,R20,C45 2, 增加USB_DETECT、MAC_RST_N网络 3, J3-19PIN改为GND 4, 删除C21, U4 5,C48改为10pF
2015-11-05	V2.0	1, 增加U8, C23, C25, R29, R30 2, 删除C3,C45