

OpenCore

Reference Manual ([0.0.2](#))

[2019.05.23]

1 Introduction

This document provides information on OpenCore user configuration file format used to setup the correct functioning of macOS operating system.

1.1 Known defects

For OpenCore issues please refer to Acidanthera Bugtracker. ~~Currently this file has the following entries not completed:~~

- ~~• Not all NVRAM variables are properly described (e.g. boot-args).~~

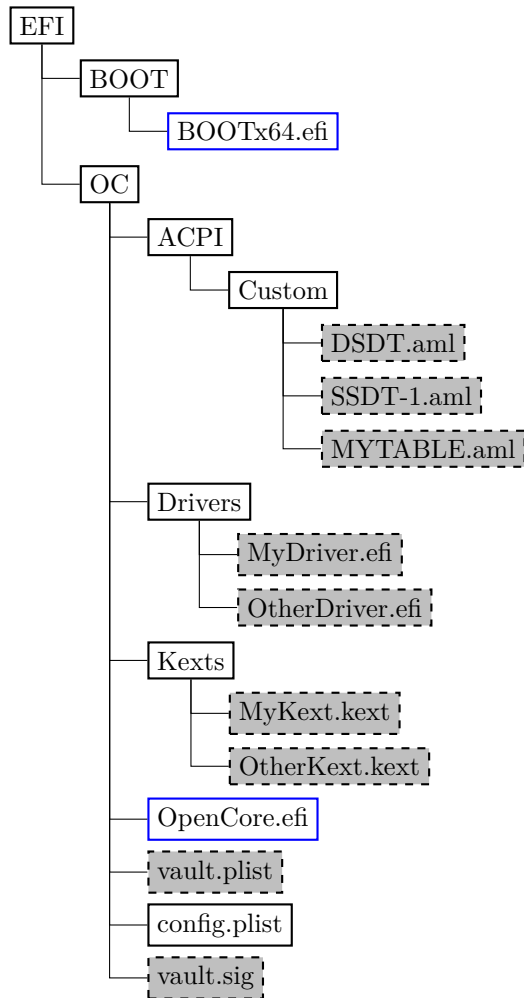


Figure 1. Directory Structure

3.5 Installation and Upgrade

To install OpenCore reflect the Configuration Structure described in the previous section on a EFI volume of a GPT partition. While corresponding sections of this document do provide some information in regards to external resources like ACPI tables, UEFI drivers, or kernel extensions (kexts), completeness of the matter is out of the scope of this document. Extra information about particular kernel extensions may be found in Lilu's Known Plugins table. Vaulting information is provided in Security Properties section of this document.

OC config, just like any property lists can be edited with any stock textual editor (e.g. nano, vim), but specialised software may provide better experience. On macOS the preferred GUI application is Xcode. For a lightweight cross-platform and open-source alternative ProperTree editor can be utilised.

For BIOS booting a third-party UEFI environment provider will have to be used. DuetPkg is one of the known UEFI environment providers for legacy systems. While it is known to be possible to run OpenCore on such a legacy system, configuration and use of DuetPkg is currently out of the scope of this document.

For upgrade purposes refer to Differences.pdf document, providing the information about the changes affecting the configuration compared to the previous release, and ChangeLog.md document, containing the list of modifications across all published updates.

3.6 Contribution

OpenCore can be compiled as an ordinary EDK II package with UDK 2018.

The only officially supported toolchain is XCODE5. Other toolchains might work, but are neither supported, nor recommended. Contribution of clean patches is welcome. Please do follow EDK II C Codestyle.

Required external package dependencies include EfiPkg, MacInfoPkg, and OcSupportPkg.

To compile with XCODE5, besides Xcode, one should also install NASM and MTOC. [The latest Xcode version is recommended for use despite the toolchain name.](#) Example command sequence may look as follows:

```
git clone https://github.com/tianocore/edk2 -b UDK2018 UDK
cd UDK
git clone https://github.com/acidanthera/EfiPkg
git clone https://github.com/acidanthera/MacInfoPkg
git clone https://github.com/acidanthera/OcSupportPkg
git clone https://github.com/acidanthera/OpenCorePkg
source edksetup.sh
make -C BaseTools
build -a X64 -b RELEASE -t XCODE5 -p OpenCorePkg/OpenCorePkg.dsc
```

Listing 1: Compilation Commands

NOOPT or DEBUG build modes instead of RELEASE can produce a lot more debug output. With NOOPT source level debugging with GDB or IDA Pro is also available. For GDB check OcSupport Debug page. For IDA Pro you will need IDA Pro 7.3 or newer.

For IDE usage Xcode projects are available in the root of the repositories. Another approach could be Sublime Text with EasyClangComplete plugin. Add `.clang_complete` file with similar content to your UDK root:

```
-I/UefiPackages/MdePkg
-I/UefiPackages/MdePkg/Include
-I/UefiPackages/MdePkg/Include/X64
-I/UefiPackages/EfiPkg
-I/UefiPackages/EfiPkg/Include
-I/UefiPackages/EfiPkg/Include/X64
-I/UefiPackages/AptioFixPkg/Include
-I/UefiPackages/AppleSupportPkg/Include
-I/UefiPackages/OpenCorePkg/Include
-I/UefiPackages/OcSupportPkg/Include
-I/UefiPackages/IntelFrameworkPkg/Include
-I/UefiPackages/MacInfoPkg/Include
-IInclude
-include
/UefiPackages/MdePkg/Include/Uefi.h
-fshort-wchar
-Wall
-Wextra
-Wno-unused-parameter
-Wno-missing-braces
-Wno-missing-field-initializers
-Wno-tautological-compare
-Wno-sign-compare
-Wno-varargs
-Wno-unused-const-variable
```

Listing 2: ECC Configuration

Warning: Tool developers modifying `config.plist` or any other OpenCore files must ensure that their tool checks for `opencore-version` NVRAM variable (see Debug Properties section below) and warn the user if the version listed is unsupported or prerelease. OpenCore configuration may change across the releases and the tool shall ensure that it carefully follows this document. Failure to do so may result in this tool to be considered as malware and blocked with all possible means.

Default value: false

Description: Provide reset register and flag in FADT table to enable reboot and shutdown on legacy hardware. Not recommended unless required.

2. `IgnoreForWindows`

Type: plist boolean

Default value: false

Description: Disable all sorts of ACPI modifications when booting Windows operating system.

This flag implements a quick workaround for those, who made their ACPI tables incompatible with Windows, but need it right now. Not recommended, as ACPI tables must be compatible with any operating system regardless of the changes.

Note: This option may be removed in the future.

3. `NormalizeHeaders`

Type: plist boolean

Default value: false

Description: Cleanup ACPI header fields to workaround macOS ACPI implementation bug causing boot crashes. Reference: Debugging AppleACPIPlatform on 10.13 by Alex James aka theracermaster. The issue is fixed in macOS Mojave (10.14).

4. `RebaseRegions`

Type: plist boolean

Default value: false

Description: Attempt to heuristically relocate ACPI memory regions. Not recommended.

ACPI tables are often generated dynamically by underlying firmware implementation. Among the position-independent code, ACPI tables may contain physical addresses of MMIO areas used for device configuration, usually grouped in regions (e.g. `OperationRegion`). Changing firmware settings or hardware configuration, upgrading or patching the firmware inevitably leads to changes in dynamically generated ACPI code, which sometimes lead to the shift of the addresses in aforementioned `OperationRegion` constructions.

For this reason it is very dangerous to apply any kind of modifications to ACPI tables. The most reasonable approach is to make as few as possible changes to ACPI and try to not replace any tables, especially DSDT. When this is not possible, then at least attempt to ensure that custom DSDT is based on the most recent DSDT or remove writes and reads for the affected areas.

When nothing else helps this option could be tried to avoid stalls at `PCI Configuration Begin` phase of macOS booting by attempting to fix the ACPI addresses. It does not do magic, and only works with most common cases. Do not use unless absolutely required.

5. [`ResetLogoStatus`](#)

[**Type:** plist boolean](#)

[**Default value:** false](#)

[**Description:** Reset BGRT table `Displayed` status field to false.](#)

[This works around firmwares that provide BGRT table but fail to handle screen updates afterwards.](#)

7 Misc

7.1 Introduction

This section contains miscellaneous configuration entries for OpenCore behaviour that does not go to any other sections

7.2 Properties

1. **Boot**
Type: plist dict
Description: Apply boot configuration described in Boot Properties section below.
2. **Debug**
Type: plist dict
Description: Apply debug configuration described in Debug Properties section below.
3. **Security**
Type: plist dict
Description: Apply security configuration described in Security Properties section below.

7.3 Boot Properties

1. **ConsoleMode**
Type: plist string
Default value: Empty string
Description: Sets console output mode as specified with the WxH (e.g. 80x24) formatted string. Set to empty string not to change console mode. Set to **Max** to try to use largest available console mode.
2. **ConsoleBehaviourOs**
Type: plist string
Default value: Empty string
Description: Set console control behaviour upon operating system load.

Console control is a legacy protocol used for switching between text and graphics screen output. Some firmwares do not provide it, yet select operating systems require its presence, which is what **ProvideGonsoleControlConsoleControl** UEFI [quirk-protocol](#) is for.

When console control is available, OpenCore can be made console control aware, and and set different modes for the operating system booter (**ConsoleBehaviourOs**), which normally runs in graphics mode, and its own user interface (**ConsoleBehaviourUi**), which normally runs in text mode. Possible behaviours, set as values of these options, include:

- Empty string — Do not modify console control mode.
- **Text** — Switch to text mode.
- **Graphics** — Switch to graphics mode.
- **ForceText** — Switch to text mode and preserve it (requires **ProvideGonsoleControlConsoleControl**).
- **ForceGraphics** — Switch to graphics mode and preserve it (require **ProvideGonsoleControlConsoleControl**).

Hints:

- Unless empty works, firstly try to set **ConsoleBehaviourOs** to **Graphics** and **ConsoleBehaviourUi** to **Text**.
- On APTIO IV (Haswell and earlier) it is usually enough to have **ConsoleBehaviourOs** set to **Graphics** and **ConsoleBehaviourUi** set to **ForceText** to avoid visual glitches.
- On APTIO V (Broadwell and newer) **ConsoleBehaviourOs** set to **ForceGraphics** and **ConsoleBehaviourUi** set to **Text** usually works best.

Note: **IgnoreTextInGraphics** may need to be enabled for select firmware implementations.

3. **ConsoleBehaviourUi**
Type: plist string
Default value: Empty string
Description: Set console control behaviour upon OpenCore user interface load. Refer to **ConsoleBehaviourOs** description for details.

4. HideSelf

Type: plist boolean
Default value: false
Description: Hides own boot entry from boot picker. This may potentially hide other entries, for instance, when another UEFI OS is installed on the same volume and driver boot is used.
5. Resolution

Type: plist string
Default value: Empty string
Description: Sets console output screen resolution ~~as specified with the~~
 - [Set to WxH@Bpp](#) (e.g. 1920x1080@32) ~~or~~ [WxH](#) (e.g. 1920x1080) formatted string ~~to request custom resolution from GOP if available.~~
 - Set to empty string not to change screen resolution.
 - Set to Max to try to use largest available screen resolution.

[On HiDPI screens APPLE_VENDOR_VARIABLE_GUID UIScale NVRAM variable may need to be set to 02 to enable HiDPI scaling in FileVault 2 UEFI password interface and boot screen logo. Refer to Recommended Variables section for more details.](#)

Note: This will fail when console handle has no GOP protocol. When the firmware does not provide it, it can be added with ProvideConsoleGop UEFI quirk set to true.
6. ShowPicker

Type: plist boolean
Default value: false
Description: Show simple boot picker to allow boot entry selection.
7. Timeout

Type: plist integer, 32 bit
Default value: 0
Description: Timeout in seconds in boot picker before automatic booting of the default boot entry.

7.4 Debug Properties

1. DisableWatchDog

Type: plist boolean
Default value: NO
Description: Select firmwares may not succeed in quickly booting the operating system, especially in debug mode, which results in watch dog timer aborting the process. This option turns off watch dog timer.
2. DisplayDelay

Type: plist integer
Default value: 0
Description: Delay in microseconds performed after every printed line visible onscreen (i.e. console).
3. DisplayLevel

Type: plist integer, 64 bit
Default value: 0
Description: EDK II debug level bitmask (sum) showed onscreen. Unless **Target** enables console (onscreen) printing, onscreen debug output will not be visible. The following levels are supported (discover more in DebugLib.h):

 - 0x00000002 ([bit 1](#)) — DEBUG_WARN in DEBUG, NOOPT, RELEASE.
 - 0x00000040 ([bit 6](#)) — DEBUG_INFO in DEBUG, NOOPT.
 - 0x00400000 ([bit 22](#)) — DEBUG_VERBOSE in custom builds.
 - 0x80000000 ([bit 31](#)) — DEBUG_ERROR in DEBUG, NOOPT, RELEASE.
4. ~~ExposeBootPath~~

~~**Type:** plist boolean~~
~~**Default value:** false~~
~~**Description:** Expose printable booter path to OpenCore.efi or its booter (depending on the load order) as an UEFI variable.~~

~~To obtain booter path use the following command in macOS:-~~

```
nvrAm 4D1FDA02-38C7-4A6A-9CC6-4BCCA8B30102:boot-path
```

To use booter path for mounting booter volume use the following command in macOS:-

```
u=$(nvrAm 4D1FDA02-38C7-4A6A-9CC6-4BCCA8B30102:boot-path | sed 's/.*GPT,\([^,]*\) .*\/\1/');\  
if [ "$u" != "" ]; then sudo diskutil mount $u ; fi
```

5. Target

Type: plist integer

Default value: 0

Description: A bitmask (sum) of enabled logging targets. By default all the logging output is hidden, so this option is required to be set when debugging is necessary.

The following logging targets are supported:

- 0x01 ([bit 0](#)) — Enable logging, otherwise all log is discarded.
- 0x02 ([bit 1](#)) — Enable basic console (onscreen) logging.
- 0x04 ([bit 2](#)) — Enable logging to Data Hub.
- 0x08 ([bit 3](#)) — Enable serial port logging.
- 0x10 ([bit 4](#)) — Enable UEFI variable logging.
- 0x20 ([bit 5](#)) — Enable non-volatile UEFI variable logging.
- 0x40 ([bit 6](#)) — Enable logging to file.

Console logging prints less than all the other variants. Depending on the build type (RELEASE, DEBUG, or NOOPT) different amount of logging may be read (from least to most).

Data Hub log will not log kernel and kext patches. To obtain Data Hub log use the following command in macOS:

```
ioreg -lw0 -p IODeviceTree | grep boot-log | sort | sed 's/.*<\.*\>.*\/\1/' | xxd -r -p
```

UEFI variable log does not include some messages and has no performance data. For safety reasons log size is limited to 32 kilobytes. Some firmwares may truncate it much earlier or drop completely if they have no memory. Using non-volatile flag will write the log to NVRAM flash after every printed line. To obtain UEFI variable log use the following command in macOS:

```
nvrAm 4D1FDA02-38C7-4A6A-9CC6-4BCCA8B30102:boot-log |\  
awk '{gsub(/%0d%0a%00/, "");gsub(/%0d%0a/, "\n")}1'
```

[Warning: Some firmwares are reported to have broken NVRAM garbage collection. This means that they may not be able to always free space after variable deletion. Do not use non-volatile NVRAM logging without extra need on such devices.](#)

While OpenCore boot log already contains basic version information with build type and date, this data may also be found in NVRAM in `opencore-version` variable even with boot log disabled:-

```
nvrAm 4D1FDA02-38C7-4A6A-9CC6-4BCCA8B30102:opencore-version
```

~

File logging will create a file named `opencore.log` at EFI volume root with log contents. Please be warned that some file system drivers present in firmwares are not reliable, and may corrupt data when writing files through UEFI. Log is attempted to be written in the safest manner, and thus is very slow. Ensure that `DisableWatchDog` is set to `true` when you use a slow drive.

7.5 Security Properties

1. [ExposeSensitiveData](#)

Type: plist integer

Default value: 2

Description: [Sensitive data exposure bitmask \(sum\) to operating system.](#)

- [0x01](#) — Expose printable booter path as an UEFI variable.
- [0x02](#) — Expose OpenCore version as an UEFI variable.

[Exposed booter path points to OpenCore.efi or its booter depending on the load order. To obtain booter path use the following command in macOS:](#)

```
nvrAM 4D1FDA02-38C7-4A6A-9CC6-4BCCA8B30102:boot-path
```

[To use booter path for mounting booter volume use the following command in macOS:](#)

```
u=$(nvrAM 4D1FDA02-38C7-4A6A-9CC6-4BCCA8B30102:boot-path | sed 's/.*GPT,\([^\]*\),.*\/1/');\
if [ "$u" != "" ]; then sudo diskutil mount $u ; fi
```

[To obtain OpenCore version use the following command in macOS:](#)

```
nvrAM 4D1FDA02-38C7-4A6A-9CC6-4BCCA8B30102:opencore-version
```

2. HaltLevel

Type: plist integer, 64 bit

Default value: 0x80000000 (DEBUG_ERROR)

Description: EDK II debug level bitmask (sum) causing CPU to halt (stop execution) after obtaining a message of HaltLevel. Possible values match DisplayLevel values.

3. RequireSignature

Type: plist boolean

Default value: true

Description: Require vault.sig signature file for vault.plist in OC directory.

This file should contain a raw 256 byte RSA-2048 signature from SHA-256 hash of vault.plist. The signature is verified against the public key embedded into OpenCore.efi.

To embed the public key you should do either of the following:

- Provide public key during the OpenCore.efi compilation in OpenCoreVault.c file.
- Binary patch OpenCore.efi replacing zeroes with the public key between =BEGIN OC VAULT= and ==END OC VAULT== ASCII markers.

RSA public key 520 byte format description can be found in Chromium OS documentation. To convert public key from X.509 certificate or from PEM file use RsaTool.

Note: vault.sig is used regardless of this option when public key is embedded into OpenCore.efi. Setting it to true will only ensure configuration sanity, and abort the boot process when public key is not set but was supposed to be used for verification.

4. RequireVault

Type: plist boolean

Default value: true

Description: Require vault.plist file present in OC directory.

This file should contain SHA-256 hashes for all files used by OpenCore. Presence of this file is highly recommended to ensure that unintentional file modifications (including filesystem corruption) do not happen unnoticed. To create this file automatically use create_vault.sh script.

Regardless of the underlying filesystem, path name and case must match between config.plist and vault.plist.

Note: vault.plist is tried to be read regardless of the value of this option, but setting it to true will ensure configuration sanity, and abort the boot process.

The complete set of commands to:

- Create vault.plist.
- Create a new RSA key (always do this to avoid loading old configuration).
- Embed RSA key into OpenCore.efi.
- Create vault.sig.

Can look as follows:

```
cd /Volumes/EFI/EFI/OC
/path/to/create_vault.sh .
/path/to/RsaTool -sign vault.plist vault.sig vault.pub
off=$((($(strings -a -t d OpenCore.efi | grep "=BEGIN OC VAULT=" | cut -f1 -d' ') + 16))
dd of=OpenCore.efi if=vault.pub bs=1 seek=$off count=520 conv=notrunc
rm vault.pub
```

Note: While it may appear obvious, but you have to use an external method to verify `OpenCore.efi` and `BOOTx64.efi` for secure boot path. For this you are recommended to at least enable UEFI SecureBoot with a custom certificate, and sign `OpenCore.efi` and `BOOTx64.efi` with your custom key. More details on customising secure boot on modern firmwares can be found in Taming UEFI SecureBoot paper (in Russian).

5. [ScanPolicy](#)

Type: [plist integer, 32 bit](#)

Default value: [0xF0103](#)

Description: [Define operating system detection policy.](#)

[This value allows to prevent scanning \(and booting\) from untrusted source based on a bitmask \(sum\) of select flags. As it is not possible to reliably detect every file system or device type, this feature cannot be fully relied upon in open environments, and the additional measures are to be applied.](#)

[Third party drivers may introduce additional security \(and performance\) measures following the provided scan policy. Scan policy is exposed in `scan-policy` variable of 4D1FDA02-38C7-4A6A-9CC6-4BCCA8B30102 GUID for UEFI Boot Services only.](#)

- [0x00000001 \(bit 0\) — OC_SCAN_FILE_SYSTEM_LOCK, restricts scanning to only known file systems defined as a part of this policy. File system drivers may not be aware of this policy, and to avoid mounting of undesired file systems it is best not to load its driver. This bit does not affect dmg mounting, which may have any file system. Known file systems are prefixed with OC_SCAN_ALLOW_FS.](#)
- [0x00000002 \(bit 1\) — OC_SCAN_DEVICE_LOCK, restricts scanning to only known device types defined as a part of this policy. This is not always possible to detect protocol tunneling, so be aware that on some systems it may be possible for e.g. USB HDDs to be recognised as SATA. Cases like this must be reported. Known device types are prefixed with OC_SCAN_ALLOW_DEVICE.](#)
- [0x00000100 \(bit 8\) — OC_SCAN_ALLOW_FS_APFS, allows scanning of APFS file system.](#)
- [0x00000200 \(bit 9\) — OC_SCAN_ALLOW_FS_HFS, allows scanning of HFS file system \(must be blessed\).](#)
- [0x00010000 \(bit 16\) — OC_SCAN_ALLOW_DEVICE_SATA, allow scanning SATA devices.](#)
- [0x00020000 \(bit 17\) — OC_SCAN_ALLOW_DEVICE_SASEX, allow scanning SAS and Mac NVMe devices.](#)
- [0x00040000 \(bit 18\) — OC_SCAN_ALLOW_DEVICE_SCSI, allow scanning SCSI devices.](#)
- [0x00080000 \(bit 19\) — OC_SCAN_ALLOW_DEVICE_NVME, allow scanning NVMe devices.](#)
- [0x00100000 \(bit 20\) — OC_SCAN_ALLOW_DEVICE_ATAPI, allow scanning CD/DVD devices.](#)
- [0x00200000 \(bit 21\) — OC_SCAN_ALLOW_DEVICE_USB, allow scanning USB devices.](#)
- [0x00400000 \(bit 22\) — OC_SCAN_ALLOW_DEVICE_FIREWIRE, allow scanning FireWire devices.](#)
- [0x00800000 \(bit 23\) — OC_SCAN_ALLOW_DEVICE_SDCARD, allow scanning card reader devices.](#)

Note: [Given the above description, 0xF0103 value is expected to allow scanning of SATA, SAS, SCSI, and NVMe devices with APFS file system, and prevent scanning of any devices with HFS or FAT32 file systems in addition to not scanning APFS file systems on USB, CD, USB, and FireWire drives. The combination reads as:](#)

- [OC_SCAN_FILE_SYSTEM_LOCK](#)
- [OC_SCAN_DEVICE_LOCK](#)
- [OC_SCAN_ALLOW_FS_APFS](#)
- [OC_SCAN_ALLOW_DEVICE_SATA](#)
- [OC_SCAN_ALLOW_DEVICE_SASEX](#)
- [OC_SCAN_ALLOW_DEVICE_SCSI](#)
- [OC_SCAN_ALLOW_DEVICE_NVME](#)

8.4 Recommended Variables

The following variables are recommended for faster startup or other improvements:

- `7C436110-AB2A-4BBB-A880-FE41995C9F82:csr-active-config`
32-bit System Integrity Protection bitmask. Declared in XNU source code in `csr.h`.
- `4D1EDE05-38C7-4A6A-9CC6-4BCCA8B38C14:ExtendedFirmwareFeatures`
Combined `FirmwareFeatures` and `ExtendedFirmwareFeatures`. Present on newer Macs to avoid extra parsing of SMBIOS tables
- `4D1EDE05-38C7-4A6A-9CC6-4BCCA8B38C14:ExtendedFirmwareFeaturesMask`
Combined `FirmwareFeaturesMask` and `ExtendedFirmwareFeaturesMask`. Present on newer Macs to avoid extra parsing of SMBIOS tables.
- `4D1EDE05-38C7-4A6A-9CC6-4BCCA8B38C14:HW_BID`
Hardware BoardProduct (e.g. `Mac-35C1E88140C3E6CF`). Not present on real Macs, but used to avoid extra parsing of SMBIOS tables, especially in `boot.efi`.
- `4D1EDE05-38C7-4A6A-9CC6-4BCCA8B38C14:HW_MLB`
Hardware BoardSerialNumber. Override for MLB. Present on newer Macs (2013+ at least).
- `4D1EDE05-38C7-4A6A-9CC6-4BCCA8B38C14:HW_ROM`
Hardware ROM. Override for ROM. Present on newer Macs (2013+ at least).
- `7C436110-AB2A-4BBB-A880-FE41995C9F82:prev-lang:kbd`
ASCII string defining default keyboard layout. Format is `lang-COUNTRY:keyboard`, e.g. `ru-RU:19456252` for [Mac Russian locale and ABC keyboard](#). Also accepts short forms: `ru:19456252` or `ru:0`. [Full decoded list of keyboards in \(U.S. keyboard, compatible with 10.9\). Full decoded keyboard list from AppleKeyboardLayouts-L.dat](#) can be found on AppleLife. [Using non-latin keyboard on 10.14 will not enable ABC keyboard, unlike previous macOS versions, and is thus not recommended.](#)
- `7C436110-AB2A-4BBB-A880-FE41995C9F82:security-mode`
ASCII string defining FireWire security mode. Legacy, can be found in `IOFireWireFamily` source code in `IOFireWireController.cpp`. It is recommended not to set this variable, which may speedup system startup. Setting to `full` is equivalent to not setting the variable and `none` disables FireWire security.
- `4D1EDE05-38C7-4A6A-9CC6-4BCCA8B38C14:UIScale`
8-bit integer defining `boot.efi` user interface scaling. Should be 1 for normal screens and 2 for HDPI screens.

8.5 Other Variables

The following variables may be useful for certain configurations or troubleshooting:

- `7C436110-AB2A-4BBB-A880-FE41995C9F82:boot-args`
Kernel arguments, used to pass configuration to Apple kernel and drivers. There are many arguments, which may be found by looking for the use of `PE_parse_boot_argn` function in the kernel or driver code. [Some of the known boot arguments include:](#)
 - ~~FIXME: document several known values!~~ `debug`, `keepsyms`, `slide`, `-v`, `-s`, `-x`, `cpus=x`, `io=x`, `kextlog=x`, ~~`nehalem_error_disable`~~, ~~`no_compat_check`~~, `nvda_drv=1`, etc? `acpi_layer=0xFFFFFFFF`
 - `acpi_level=0xFFFF5F` (implies `ACPI_ALL_COMPONENTS`)
 - `cpus=VALUE`
 - `debug=VALUE`
 - `io=VALUE`
 - `keepsyms=1`
 - `kextlog=VALUE`
 - `nvda_drv=1`
 - `slide=VALUE`
 - ~~`nehalem_error_disable`~~
 - ~~`no_compat_check`~~
 - `~s`
 - `~v`
 - `~x`
- `7C436110-AB2A-4BBB-A880-FE41995C9F82:bootercfg`
Booter arguments, similar to `boot-args` but for `boot.efi`. Accepts a set of arguments, which are hexadecimal 64-bit values with or without `0x` prefix primarily for logging control:
 - `log=VALUE`

- * 1 — AppleLoggingConOutOrErrSet/AppleLoggingConOutOrErrPrint (classical ConOut/StdErr)
- * 2 — AppleLoggingStdErrSet/AppleLoggingStdErrPrint (StdErr or serial?)
- * 4 — AppleLoggingFileSet/AppleLoggingFilePrint (BOOTER.LOG/BOOTER.OLD file on EFI partition)
- debug=VALUE
 - * 1 — enables print something to BOOTER.LOG (stripped code implies there may be a crash)
 - * 2 — enables perf logging to /efi/debug-log in the device three
 - * 4 — enables timestamp printing for styled printf calls
- level=VALUE — Verbosity level of DEBUG output. Everything but 0x80000000 is stripped from the binary, and this is the default value.
- kc-read-size=VALUE — Chunk size used for buffered I/O from network or disk for prelinkedkernel reading and related. Set to 1MB (0x100000) by default, can be tuned for faster booting.
- 7C436110-AB2A-4BBB-A880-FE41995C9F82:bootercfg-once
 Booter arguments override removed after first launch. Otherwise equivalent to bootercfg.
- 7C436110-AB2A-4BBB-A880-FE41995C9F82:fmm-computer-name
[Current saved host name. ASCII string.](#)
- 7C436110-AB2A-4BBB-A880-FE41995C9F82:nvda_drv
[NVIDIA Web Driver control variable. Takes ASCII digit 1 or 0 to enable or disable installed driver.](#)

9 PlatformInfo

Platform information is comprised of several identification fields generated or filled manually to be compatible with macOS services. The base part of the configuration may be obtained from `MacInfoPkg` package, which itself generates a set of interfaces based on a database in YAML format. These fields are written to three select destinations:

- SMBIOS
- Data Hub
- NVRAM

Most of the fields specify the overrides in SMBIOS, and their field names conform to EDK2 `SmBios.h` header file. However, several important fields reside in Data Hub and NVRAM. Some of the values can be found in more than one field and/or destination, so there are two ways to control their update process: manual, where one specifies all the values (the default), and semi-automatic, where (`Automatic`) only select values are specified, and later used for system configuration.

9.1 Properties

1. Automatic

Type: plist boolean

Default value: false

Description: Generate PlatformInfo based on `Generic` section instead of using values from `DataHub`, `NVRAM`, and `SMBIOS` sections.

Enabling this option is useful when `Generic` section is flexible enough. When enabled `SMBIOS`, `DataHub`, and `PlatformNVRAM` data is unused.

2. UpdateDataHub

Type: plist boolean

Default value: false

Description: Update ~~`DataHub`~~ `Data Hub` fields. These fields are read from `Generic` or `DataHub` sections depending on `Automatic` value.

3. UpdateNVRAM

Type: plist boolean

Default value: false

Description: Update NVRAM fields related to platform information.

These fields are read from `Generic` or `PlatformNVRAM` sections depending on `Automatic` value. All the other fields are to be specified with `NVRAM` section.

If `UpdateNVRAM` is set to `false` the aforementioned variables can be updated with `NVRAM` section. If `UpdateNVRAM` is set to `true` the behaviour is undefined when any of the fields are present in `NVRAM` section.

4. UpdateSMBIOS

Type: plist boolean

Default value: false

Description: Update SMBIOS fields. These fields are read from `Generic` or `SMBIOS` sections depending on `Automatic` value.

5. UpdateSMBIOSMode

Type: plist string

Default value: `AutoCreate`

Description: Update SMBIOS fields approach:

- `AutoTryOverwrite` — Overwrite if new size is \leq than the page-aligned original and there are no issues with legacy region unlock. `Create` otherwise. [Has issues with some firmwares.](#)
- `Create` — Replace the tables with newly allocated `EfiReservedMemoryType` at `AllocateMaxAddress` without any fallbacks.
- `Overwrite` — Overwrite existing `gEfiSmbiosTableGuid` and `gEfiSmbiosTable3Guid` data if it fits new size. Abort with unspecified state otherwise.
- `Custom` — Write first SMBIOS table (`gEfiSmbiosTableGuid`) to `gOcCustomSmbiosTableGuid` to workaround firmwares overwriting SMBIOS contents at `ExitBootServices`. Otherwise equivalent to `Create`. Requires

patching AppleSmbios.kext and AppleACPIPlatform.kext to read from another GUID: "EB9D2D31" -> "EB9D2D35" (in ASCII).

6. Generic
Type: plist dictionary
Optional: When Automatic is false
Description: Update all fields. This section is read only when Automatic is active.
7. DataHub
Type: plist dictionary
Optional: When Automatic is true
Description: Update Data Hub fields. This section is read only when Automatic is not active.
8. PlatformNVRAM
Type: plist dictionary
Optional: When Automatic is true
Description: Update platform NVRAM fields. This section is read only when Automatic is not active.
9. SMBIOS
Type: plist dictionary
Optional: When Automatic is true
Description: Update SMBIOS fields. This section is read only when Automatic is not active.

9.2 Generic Properties

1. [SpoofVendor](#)
Type: [plist boolean](#)
Default value: [false](#)
Description: [Sets SMBIOS vendor fields to Acidanthera.](#)

[It is dangerous to use Apple in SMBIOS vendor fields for reasons given in SystemManufacturer description. However, certain firmwares may not provide valid values otherwise, which could break some software.](#)
2. SystemProductName
Type: plist string
Default value: MacPro6,1
Description: Refer to SMBIOS SystemProductName.
3. SystemSerialNumber
Type: plist string
Default value: OPENCORE_SN1
Description: Refer to SMBIOS SystemSerialNumber.
4. SystemUUID
Type: plist string, GUID
Default value: OEM specified
Description: Refer to SMBIOS SystemUUID.
5. MLB
Type: plist string
Default value: OPENCORE_MLB_SN11
Description: Refer to SMBIOS BoardSerialNumber.
6. ROM
Type: plist data, 6 bytes
Default value: all zero
Description: Refer to 4D1EDE05-38C7-4A6A-9CC6-4BCCA8B38C14:ROM.

9.3 DataHub Properties

1. PlatformName
Type: plist string

16. BoardType
 - Type: plist integer
 - Default value: OEM specified
 - SMBIOS: Baseboard (or Module) Information (Type 2) — Board Type
 - Description: Either 0xA (Motherboard (includes processor, memory, and I/O) or 0xB (Processor/Memory Module), refer to Table 15 – Baseboard: Board Type for more details.
17. BoardLocationInChassis
 - Type: plist string
 - Default value: OEM specified
 - SMBIOS: Baseboard (or Module) Information (Type 2) — Location in Chassis
 - Description: Varies, may be empty or Part Component.
18. ChassisManufacturer
 - Type: plist string
 - Default value: OEM specified
 - SMBIOS: System Enclosure or Chassis (Type 3) — Manufacturer
 - Description: Board manufacturer. All rules of SystemManufacturer do apply.
19. ChassisType
 - Type: plist integer
 - Default value: OEM specified
 - SMBIOS: System Enclosure or Chassis (Type 3) — Type
 - Description: Chassis type, refer to Table 17 — System Enclosure or Chassis Types for more details.
20. ChassisVersion
 - Type: plist string
 - Default value: OEM specified
 - SMBIOS: System Enclosure or Chassis (Type 3) — Version
 - Description: Should match BoardProduct.
21. ChassisSerialNumber
 - Type: plist string
 - Default value: OEM specified
 - SMBIOS: System Enclosure or Chassis (Type 3) — Version
 - Description: Should match SystemSerialNumber.
22. ChassisAssetTag
 - Type: plist string
 - Default value: OEM specified
 - SMBIOS: System Enclosure or Chassis (Type 3) — Asset Tag Number
 - Description: Chassis type name. Varies, could be empty or MacBook-Aluminum.
23. PlatformFeature
 - Type: plist integer, [32-bit](#)
 - Default value: [0xFFFFFFFF](#)
 - SMBIOS: APPLE_SMBIOS_TABLE_TYPE133 - PlatformFeature
 - Description: Platform features bitmask. Refer to AppleFeatures.h for more details. [Use 0xFFFFFFFF value to not provide this table.](#)
24. [SmcVersion](#)
 - Type: [plist data, 16 bytes](#)
 - Default value: [All zero](#)
 - SMBIOS: [APPLE_SMBIOS_TABLE_TYPE134 - Version](#)
 - Description: [ASCII string containing SMC version in upper case. Missing on T2 based Macs. Ignored when zero.](#)
25. FirmwareFeatures
 - Type: plist data, 8 bytes
 - Default value: 0
 - SMBIOS: APPLE_SMBIOS_TABLE_TYPE128 - FirmwareFeatures and ExtendedFirmwareFeatures

10 UEFI

10.1 Introduction

UEFI (Unified Extensible Firmware Interface) is a specification that defines a software interface between an operating system and platform firmware. This section allows to load additional UEFI modules and/or apply tweaks for the onboard firmware.

10.2 Properties

1. ConnectDrivers

Type: plist boolean

Default value: NO

Description: Perform UEFI controller connection after driver loading. This option is useful for loading filesystem drivers, which usually follow UEFI driver model, and may not start by themselves. While effective, this option is not necessary with e.g. APFS loader driver, and may slightly slowdown the boot.

2. Drivers

Type: plist array

Default value: None

Description: Load selected drivers from `OC/Drivers` directory.

Designed to be filled with string filenames meant to be loaded as UEFI drivers. Depending on the firmware a different set of drivers may be required. Loading an incompatible driver may lead your system to unbootable state or even cause permanent firmware damage. Some of the known drivers include:

- **ApfsDriverLoader** — APFS file system bootstrap driver adding the support of embedded APFS drivers in bootable APFS containers in UEFI firmwares.
- **AppleUiSupport** — Apple-specific user interface support driver. This driver brings the support for FileVault 2 GUI, hotkey parsing (shift, cmd+v, etc.), language collation support, and certain other features important for normal macOS functioning. For hotkey support **AppleKeyMapAggregator**-compatible driver is required.
- **AptioInputFix** — user input driver adding the support of **AppleKeyMapAggregator** protocols on top of different UEFI input protocols. Additionally resolves mouse input issues on select firmwares. This is an alternative to **UsbKbDxe**, which may work better or worse depending on the firmware.
- **AptioMemoryFix** — a set of quirks for various firmwares. While it primarily targets APTIO firmwares, other firmwares may be compatible as well. Among the resolved issues are hibernation support, KASLR, Lilu NVRAM security enhancements, NVRAM, and UEFI Boot entry preservation.
- ~~— **IntelDataHub** driver from **IntelFrameworkModulePkg**. It is believed that this driver is included in all UEFI firmwares, and is not required.~~
- **EmuVariableRuntimeDxe** — NVRAM emulation driver from **MdeModulePkg**. NVRAM is supported by most modern firmwares. For firmwares with macOS incompatible NVRAM implementation an emulated driver may be used. This driver will not preserve NVRAM contents across the reboots.
- **EnglishDxe** — Unicode collation driver from **MdeModulePkg**. This driver is a lightweight alternative to **AppleUiSupport**, which contains no Apple-specific code, and only provides unicode collation support. The driver is not recommended for use on any hardware but few original Macs.
- **EnhancedFatDxe** — FAT filesystem driver from **FatPkg**. This driver is embedded in all UEFI firmwares, and cannot be used from OpenCore. It is known that multiple firmwares have a bug in their FAT support implementation, which leads to corrupted filesystems on write attempt. Embedding this driver within the firmware may be required in case writing to EFI partition is needed during the boot process.
- **NvmExpressDxe** — NVMe support driver from **MdeModulePkg**. This driver is included in most firmwares starting with Broadwell generation. For Haswell and earlier embedding it within the firmware may be more favourable in case a NVMe SSD drive is installed.
- **UsbKbDxe** — USB keyboard driver adding the support of **AppleKeyMapAggregator** protocols on top of a custom USB keyboard driver implementation. This is an alternative to **AptioInputFix**, which may work better or worse depending on the firmware.
- **VirtualSmc** — UEFI SMC driver, required for proper FileVault 2 functionality and potentially other macOS specifics. An alternative, named **SMCHelper**, is not compatible with **VirtualSmc** and OpenCore, which is unaware of its specific interfaces. In case **FakeSMC** kernel extension is used, manual NVRAM variable addition may be needed and **VirtualSmc** driver should still be used.

- VBoxHfs — HFS file system driver with bless support. This driver is an alternative to a closed source HFSPPlus driver commonly found in Apple firmwares. While it is feature complete, it is approximately 3 times slower and is yet to undergo a security audit.
- XhciDxe — [XHCI USB controller support driver from MdeModulePkg. This driver is included in most firmwares starting with Sandy Bridge generation. For earlier firmwares or legacy systems it may be used to support external USB 3.0 PCI cards.](#)

To compile the drivers from TianoCore UDK use the same command you do normally use for OpenCore compilation, but choose a corresponding package:

```
git clone https://github.com/tianocore/edk2 -b UDK2018 UDK
cd UDK
source edksetup.sh
make -C BaseTools
build -a X64 -b RELEASE -t XCODE5 -p FatPkg/FatPkg.dsc
build -a X64 -b RELEASE -t XCODE5 -p MdeModulePkg/MdeModulePkg.dsc
build -a X64 -b RELEASE -t XCODE5 -p IntelFrameworkModulePkg/IntelFrameworkModulePkg.dsc
```

3. Protocols

Type: plist dict

Default value: None

Description: Force builtin versions of select protocols described in Protocols Properties section below.

[Note: all protocol instances are installed prior to driver loading.](#)

4. Quirks

Type: plist dict

Default value: None

Description: Apply individual firmware quirks described in Quirks Properties section below.

10.3 Protocols Properties

1. AppleBootPolicy

Type: plist boolean

Default value: false

Description: Reinstalls ~~apple boot policy~~ [Apple Boot Policy](#) protocol with a builtin version. This may be used to ensure APFS compatibility on VMs or legacy Macs.

2. ConsoleControl

Type: plist boolean

Default value: NO

Description: [Replaces Console Control protocol with a builtin version.](#)

[macOS bootloader requires console control protocol for text output, which some firmwares miss. This option is required to be set when the protocol is already available in the firmware, and other console control options are used, such as IgnoreTextInGraphics, SanitiseClearScreen, and sometimes ConsoleBehaviourOs with ConsoleBehaviourUi\).](#)

3. DataHub

Type: plist boolean

Default value: false

Description: [Reinstalls Data Hub protocol with a builtin version. This will drop all previous properties if the protocol was already installed.](#)

4. DeviceProperties

Type: plist boolean

Default value: false

Description: Reinstalls ~~device property~~ [Device Property](#) protocol with a builtin version. This will drop all previous properties if it was already installed. This may be used to ensure full compatibility on VMs or legacy Macs.

10.4 Quirks Properties

1. ExitBootServicesDelay

Type: plist integer

Default value: 0

Description: Adds delay in microseconds after EXIT_BOOT_SERVICES event.

This is a very ugly quirk to circumvent "Still waiting for root device" message on select APTIO IV firmwares, namely ASUS Z87-Pro, when using FileVault 2 in particular. It seems that for some reason they execute code in parallel to EXIT_BOOT_SERVICES, which results in SATA controller being inaccessible from macOS. A better approach should be found in some future. Expect 3-5 seconds to be enough in case the quirk is needed.

2. IgnoreInvalidFlexRatio

Type: plist boolean

Default value: NO

Description: Select firmwares, namely APTIO IV, may contain invalid values in MSR_FLEX_RATIO (0x194) MSR register. These values may cause macOS boot failure on Intel platforms.

Note: While the option is not supposed to induce harm on unaffected firmwares, its usage is not recommended when it is not required.

3. IgnoreTextInGraphics

Type: plist boolean

Default value: NO

Description: Select firmwares output text onscreen in both graphics and text mode. This is normally unexpected, because random text may appear over graphical images and cause UI corruption. Setting this option to `true` will discard all text output when console control is in mode different from `Text`.

Note: While the option is not supposed to induce harm on unaffected firmwares, its usage is not recommended when it is not required. This option may hide onscreen error messages. ~~ProvideConsoleControl~~ConsoleControl is required may need to be set to `true` for this to work.

4. ~~ProvideConsoleControl~~ConsoleControl is required may need

Type: ~~plist boolean~~

Default value: ~~NO~~

Description: ~~macOS bootloader requires console control protocol for text output, some firmwares miss it. This option is required to be set when other console control options are used, such as IgnoreTextInGraphics, SanitiseClearScreen, and sometimes ConsoleBehaviourOs with ConsoleBehaviourUi).~~

5. ProvideConsoleGop

Type: plist boolean

Default value: NO

Description: macOS bootloader requires GOP (Graphics Output Protocol) to be present on console handle. This option will install it if missing.

Note: Some drivers, like AptioMemoryFix, may provide equivalent functionality. These drivers are not guaranteed to adhere to the same logic, and if a quirk is necessary, this option is preferred.

6. ReleaseUsbOwnership

Type: plist boolean

Default value: false

Description: Attempt to detach USB controller ownership from the firmware driver. While most firmwares manage to properly do that, or at least have an option for, select firmwares do not. As a result, operating system may freeze upon boot. Not recommended unless required.

7. RequestBootVarRouting

Type: plist boolean

Default value: false

Description: Request NVRAM driver (or AptioMemoryFix) to redirect Boot prefixed variables from EFI_GLOBAL_VARIABLE_GUID to OC_VENDOR_VARIABLE_GUID.

This will set special `boot-redirect` variable, which a compatible driver will abide after booter start. The quirk lets default boot entry preservation at times when firmwares delete incompatible boot entries.

8. SanitiseClearScreen

Type: plist boolean

Default value: false

Description: Some firmwares reset screen resolution to a failsafe value (like 1024x768) on the attempts to clear screen contents when large display (e.g. 2K or 4K) is used. This option attempts to apply a workaround.

Note: ~~ProvideConsoleControl~~ConsoleControl ~~is required~~may need to be set to true for this to work. On all known affected systems ConsoleMode had to be set to empty string for this to work.

11 Troubleshooting

11.1 Tips and Tricks

1. How to debug boot failure?

Normally it is enough to obtain the actual error message. For this ensure that:

- You have a `DEBUG` or `NOOPT` version of OpenCore.
- Logging is enabled (1) and shown onscreen (2): `Misc → Debug → Target = 3`.
- Logged messages from at least `DEBUG_ERROR` (0x80000000), `DEBUG_WARN` (0x00000002), and `DEBUG_INFO` (0x00000040) levels are visible onscreen: `Misc → Debug → DisplayLevel = 0x80000042`.
- Critical error messages, like `DEBUG_ERROR`, stop booting: `Misc → Security → HaltLevel = 0x80000000`.
- Watch Dog is disabled to prevent automatic reboot: `Uefi → Quirks → DisableWatchDog = true`.
- Boot Picker (entry selector) is enabled: `Misc → Boot → ShowPicker = true`.

If there is no obvious error, check the available hacks in `Quirks` sections one by one.

2. How to customise boot entries?

OpenCore follows standard Apple Bless model and extracts the entry name from `.contentDetails` and `.disk_label.contentDetails` files in the booter directory if present. These files contain an ASCII string with an entry title, which may then be customised by the user.

3. What is the simplest way to install macOS?

Copy online recovery image (`*.dmg` and `*.chunklist` files) to `com.apple.recovery.boot` directory on a FAT32 partition with OpenCore. Load OpenCore Boot Picker and choose the entry, it will have a `(dmg)` suffix. Custom name may be created by providing `.contentDetails` file.

To download recovery online you may use Recovery tool from `OcSupportPkg`.

4. Can I install Windows?

While no official Windows support is provided, 64-bit UEFI Windows installations (Windows 8 and above) prepared with Boot Camp are supposed to work in general. Third-party UEFI installations as well as systems partially supporting UEFI boot, like Windows 7, might work with some extra precautions. Be warned that macOS requires first partition to be EFI System Partition, and does not support the default Windows layout. Other than that, all the modifications applied (to ACPI, NVRAM, SMBIOS, etc.) are supposed to be operating system agnostic, i.e. apply equally regardless of the OS booted.