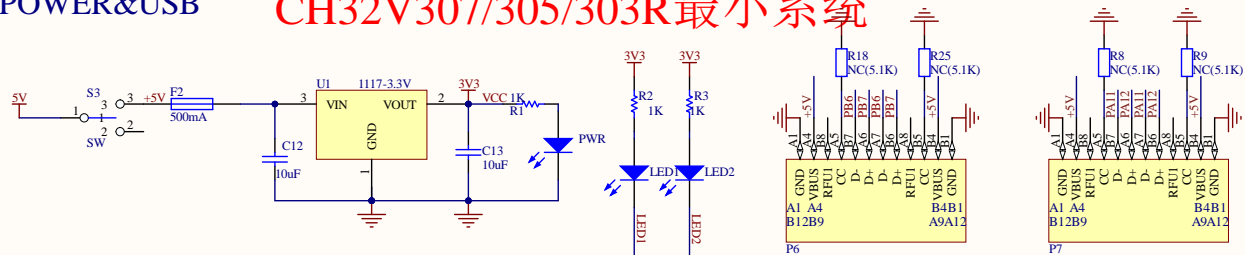


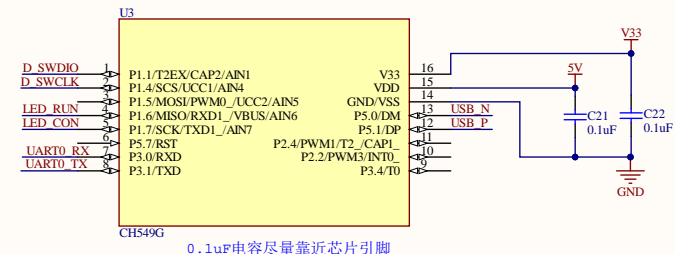
POWER&USB

CH32V307/305/303R最小系统

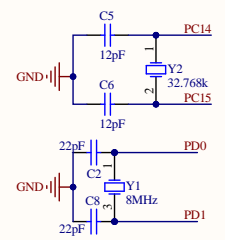


WCH_Link

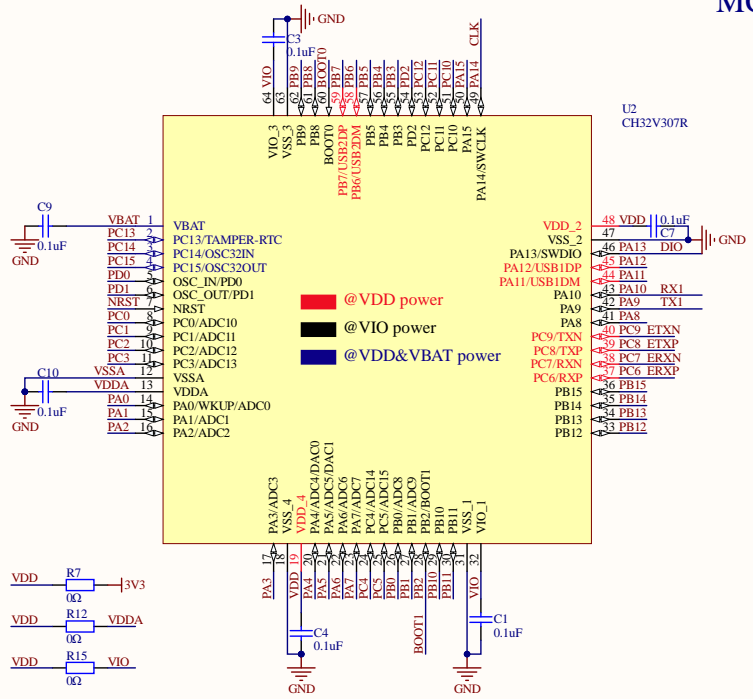
MCU



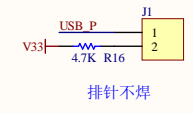
XTAL



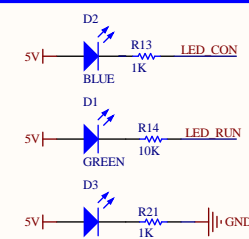
MCU



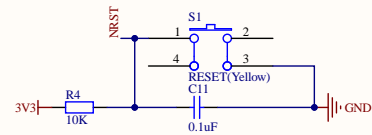
BOOT



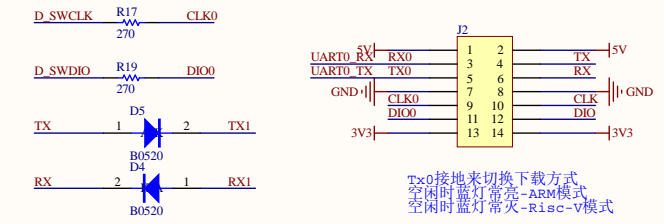
LED



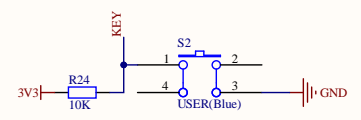
RST



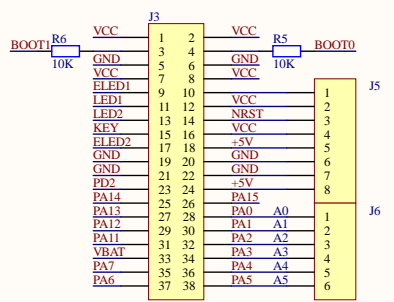
SWD&UART



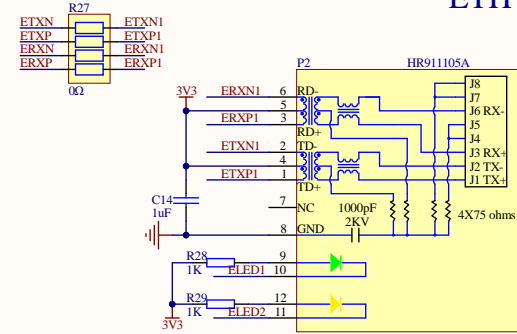
KEY



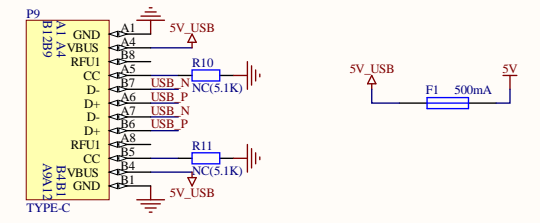
ARDUINO



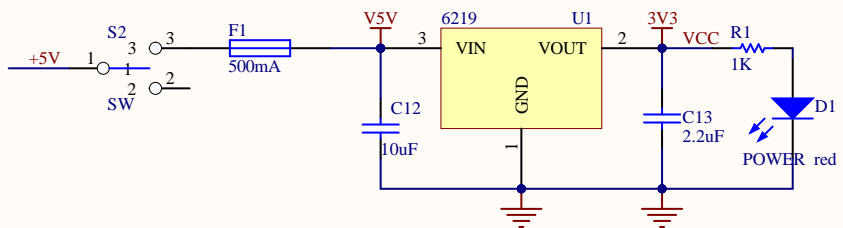
ETH



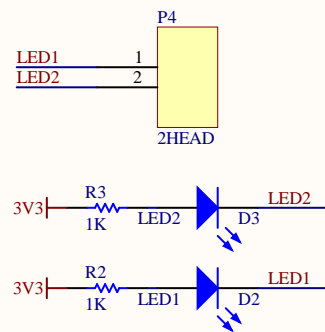
POWER&USB



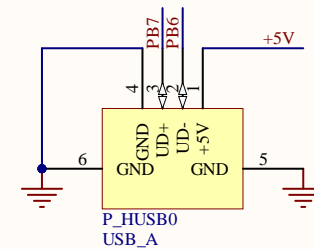
POWER



LED



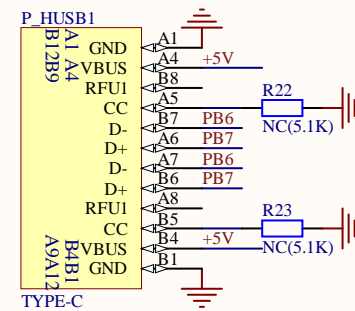
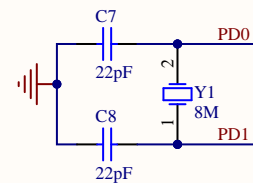
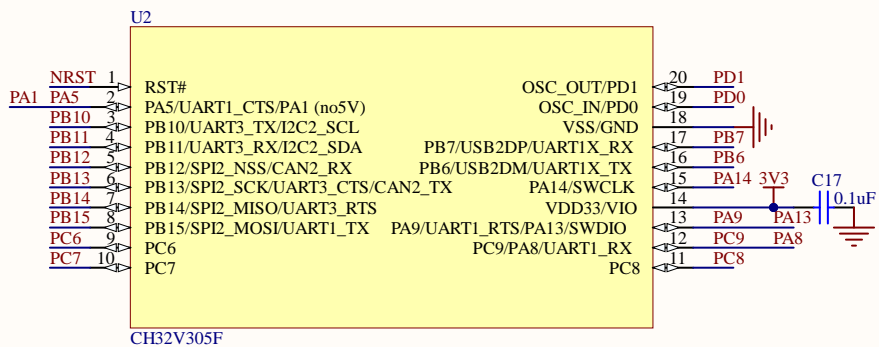
USB



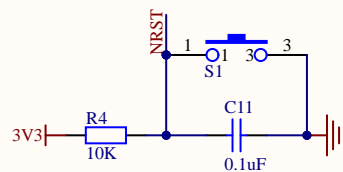
MCU

CH32V305F

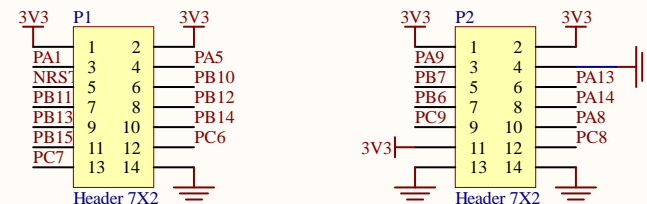
XTAL



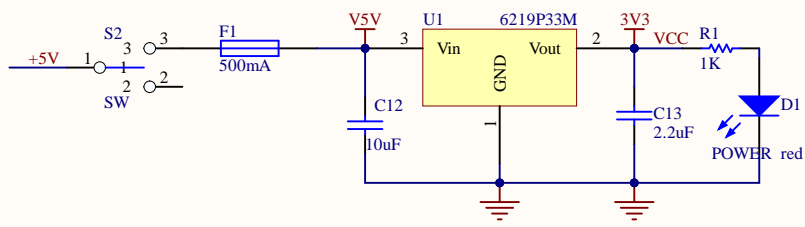
RST



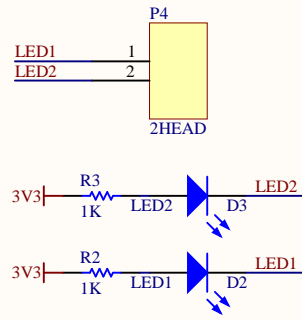
PIN



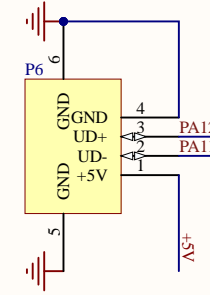
POWER



LED

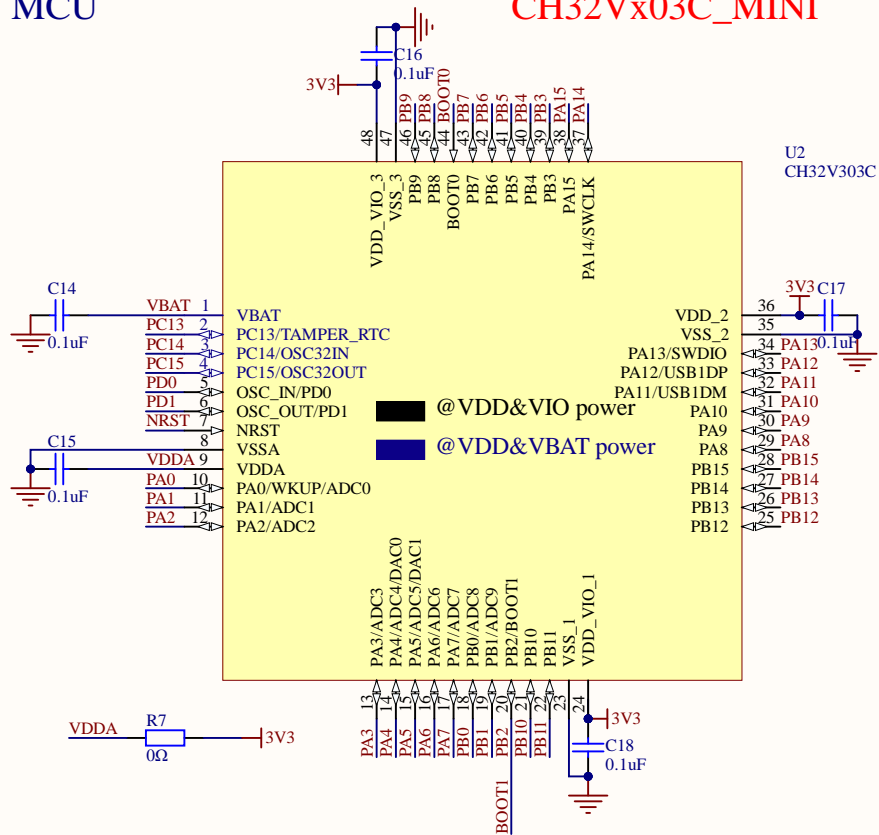


USB

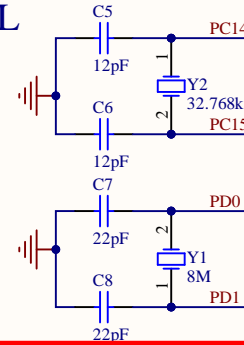


MCU

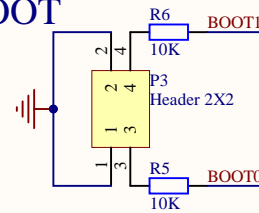
CH32Vx03C_MINI



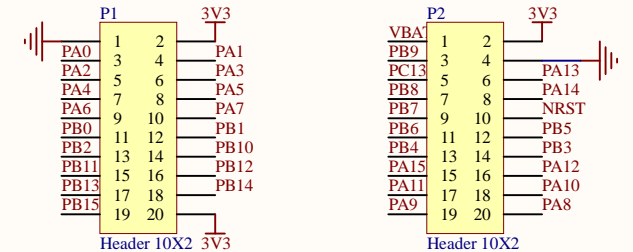
XTAL



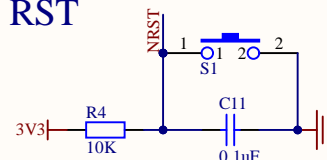
BOOT

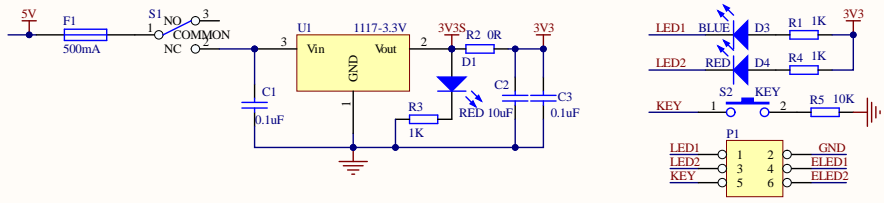


PIN



RST

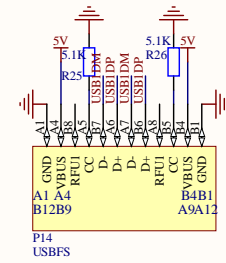
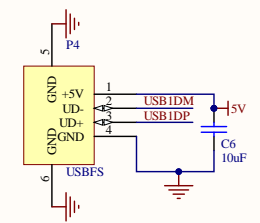




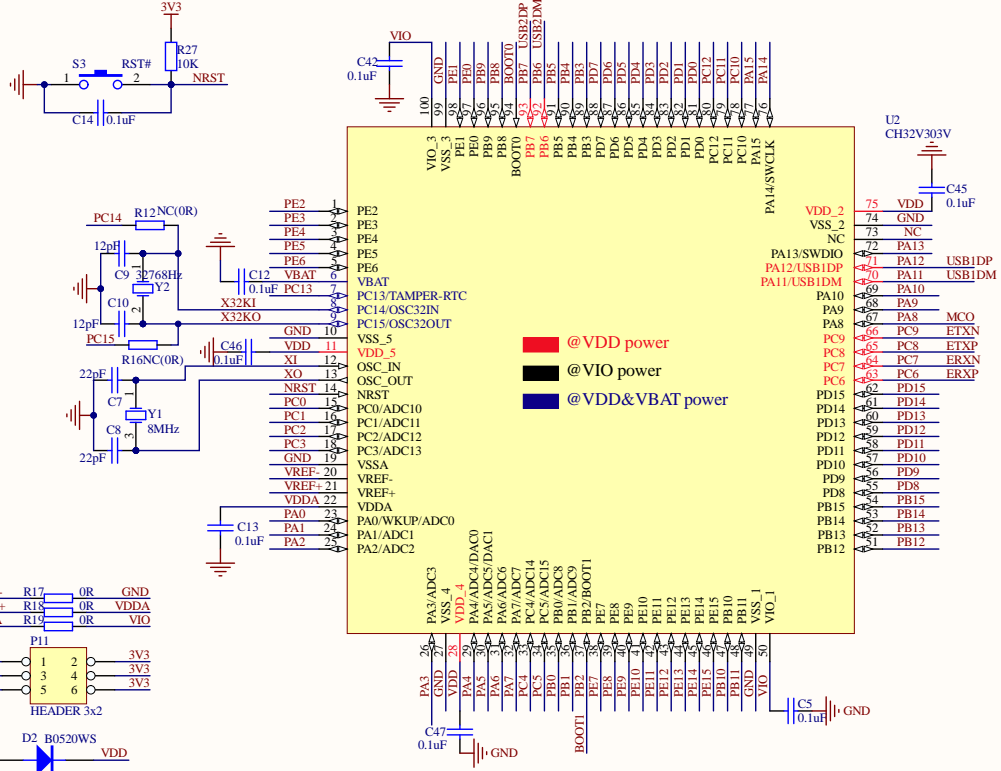
POWER

USB

阻抗匹配 12M/50R/60mA

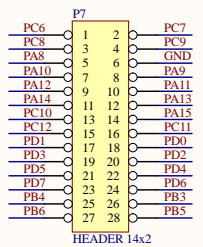
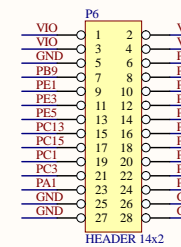


CH32xx0xV_EVT MCU

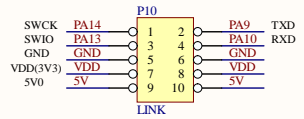


■ @ VDD power
■ @ VIO power
■ @ VDD&VBAT power

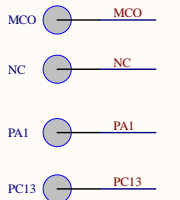
PIN



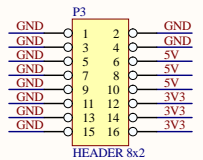
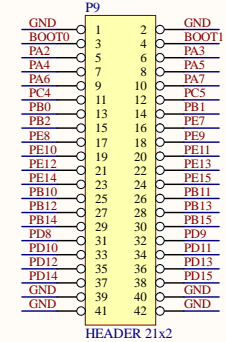
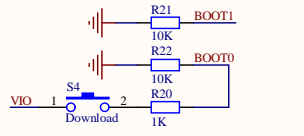
DEBUG

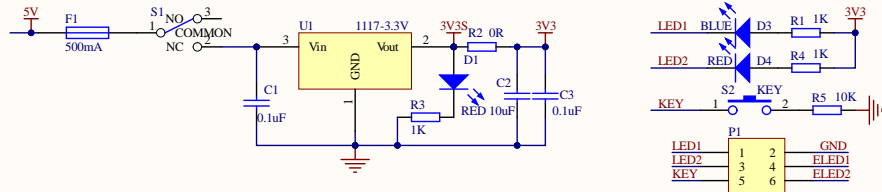


PAD



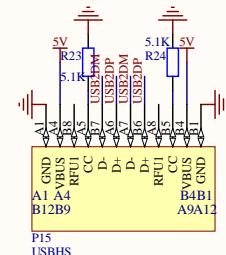
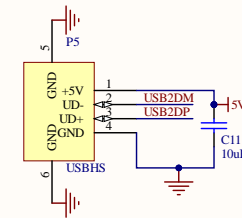
DOWNLOAD



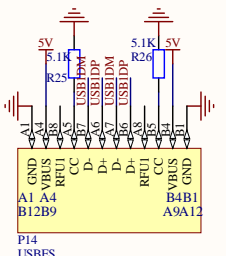
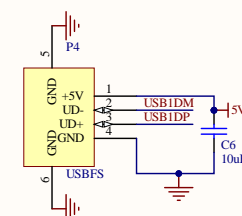


POWER

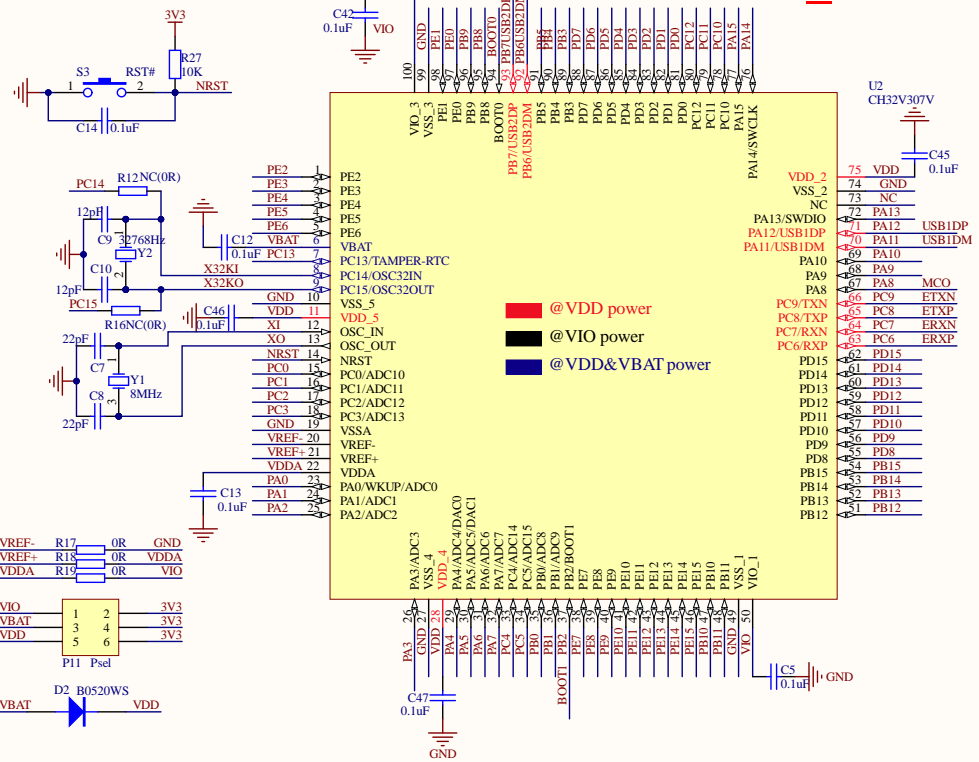
阻抗匹配 480M/45R/30mA



阻抗匹配 12M/50R/60mA



CH32V307V_EVT MCU



USB

PIN

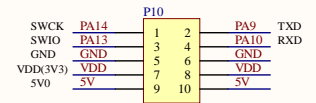
P6		VDD	
VIO	1	2	VDD
VIO	3	4	VDD
GND	5	6	PB7
PB9	7	8	PB8
PE1	9	10	PE0
PE3	11	12	PE4
PE5	13	14	PE6
PC13	15	16	PE6
PC15	17	18	PC14
PC1	19	20	PC0
PC3	21	22	PC2
PA1	23	24	PA0
GND	25	26	GND
GND	27	28	GND

P7		PC7	
PC6	1	2	PC7
PC8	3	4	PC9
PA8	5	6	GND
PA10	7	8	PA9
PA12	9	10	PA11
PA14	11	12	PA13
PC10	13	14	PA15
PC12	15	16	PC11
PD1	17	18	PD0
PD3	19	20	PD2
PD5	21	22	PD4
PD7	23	24	PD6
PB4	25	26	PB3
PB6	27	28	PB5

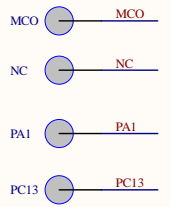
P9		GND	
GND	1	2	GND
BOOT0	3	4	BOOT1
PA2	5	6	PA3
PA4	7	8	PA5
PA6	9	10	PA7
PC4	11	12	PC5
PB0	13	14	PB1
PB2	15	16	PE7
PE8	17	18	PE9
PE10	19	20	PE11
PE12	21	22	PE13
PE14	23	24	PE15
PB10	25	26	PB11
PB12	27	28	PB13
PB14	29	30	PB15
PD8	31	32	PD9
PD10	33	34	PD11
PD12	35	36	PD13
PD14	37	38	PD15
GND	39	40	GND
GND	41	42	GND

P3		GND	
GND	1	2	GND
GND	3	4	GND
GND	5	6	5V
GND	7	8	5V
GND	9	10	5V
GND	11	12	3V3
GND	13	14	3V3
GND	15	16	3V3

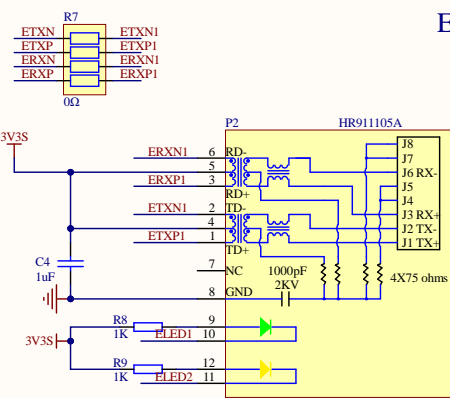
DEBUG



PAD



ETH



DOWNLOAD

